



LBIW Inc.
 2020 WEST 14TH STREET
 LONG BEACH, CA. 90813
 Tel No. : (562) 432.5451
 Fax No. : (562) 435.5929
 www.lbiw.com

PRODUCT NUMBER

LB S-342
 STEEL FRAME

LOAD RATING

SPECIFICATIONS

MATERIAL : ASTM A36
 COATING : ASTM A123
 (GALVANIZING)

MADE IN USA

EST. WEIGHT

±125 LBS

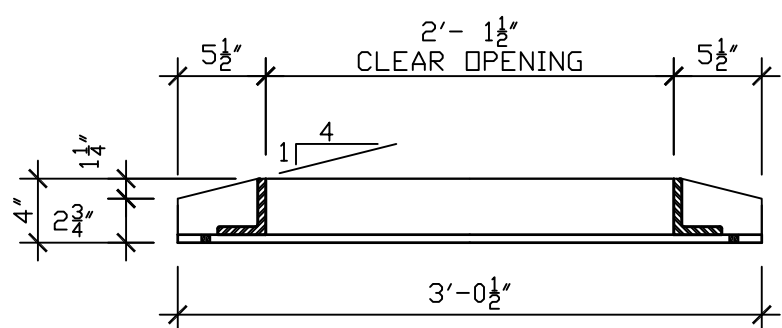
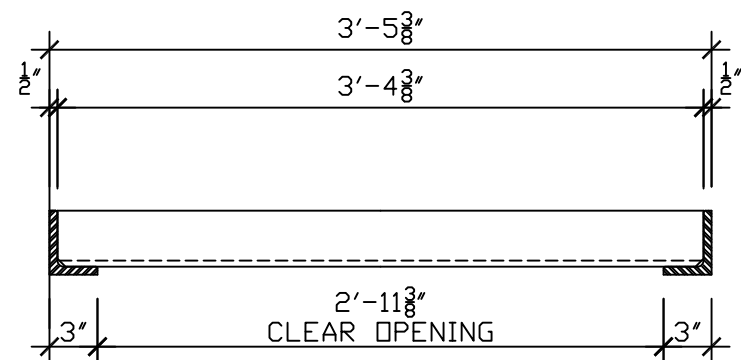
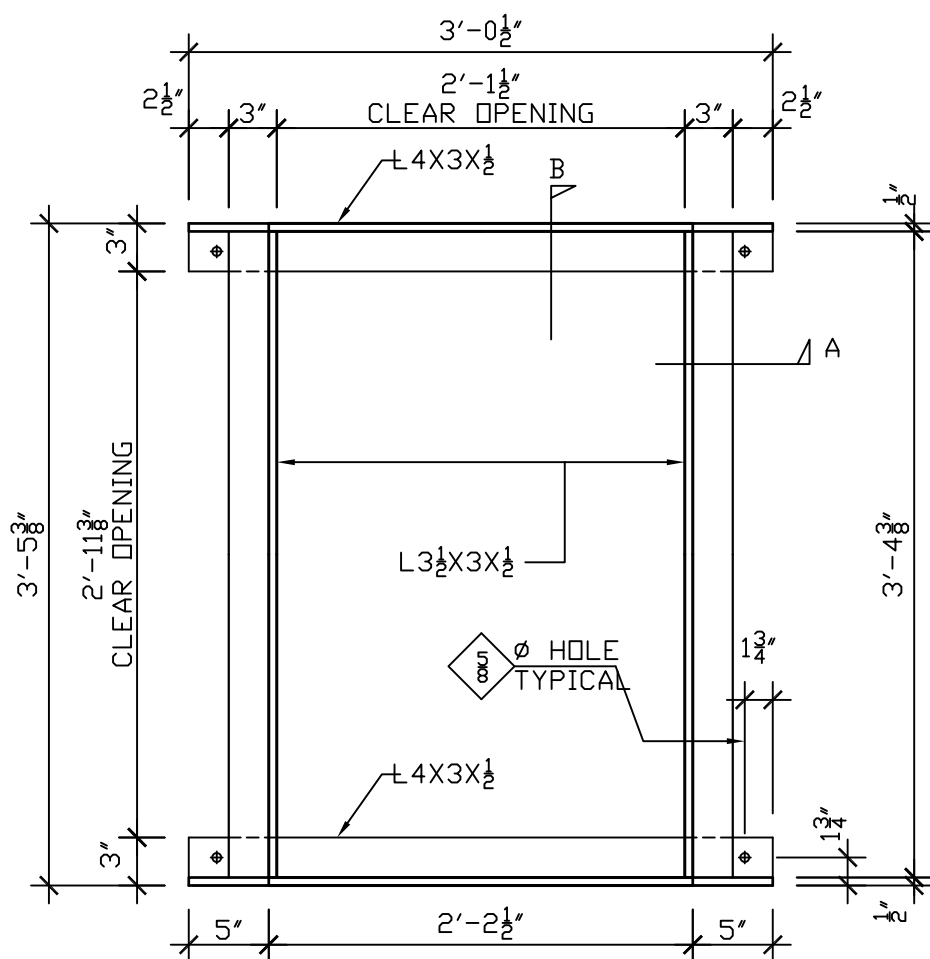
STANDARD PLAN REFERENCE

COLA DEPARTMENT OF
 PUBLIC WORKS S-342-4

DRAWN	DATE
EB	12-23-10
REVISED	DATE
03-11-15	

REFERENCE INFORMATION

LBIW CATALOG
 SECTION 07



SECTION A

SECTION B