

EAST JORDAN
IRON WORKS, INC.
P.O. BOX 439
EAST JORDAN, MI. 49727
1-800-874-4100
FAX 231-536-4458

DRAWN SBB	DATE 12/18/03
APPROVED	DATE

MANHOLE ASSY (LBIW X118)

PRODUCT NO.
00311802

CATALOG NO.
3118C
3118Z

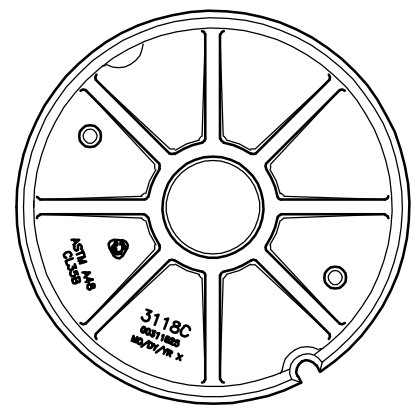
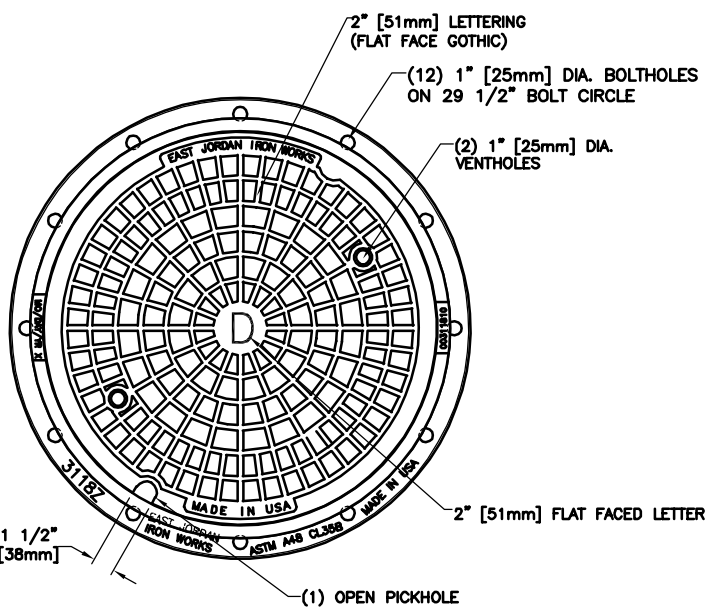
REF. PRODUCT NO.
00311825
00311810

EST. WT.
FRAME: 189 LBS 86kg
COVER: 253 LBS 115kg
UNIT: 442 LBS 201kg

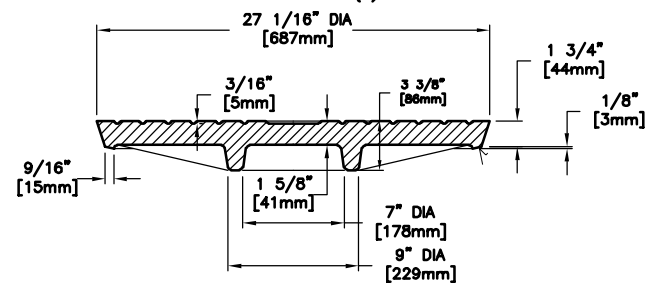
OPEN AREA
N/A

MAT'L SPEC.
FRAME - GRAY IRON
ASTM A48 CL35B
COVER - GRAY IRON
ASTM A48 CL35B

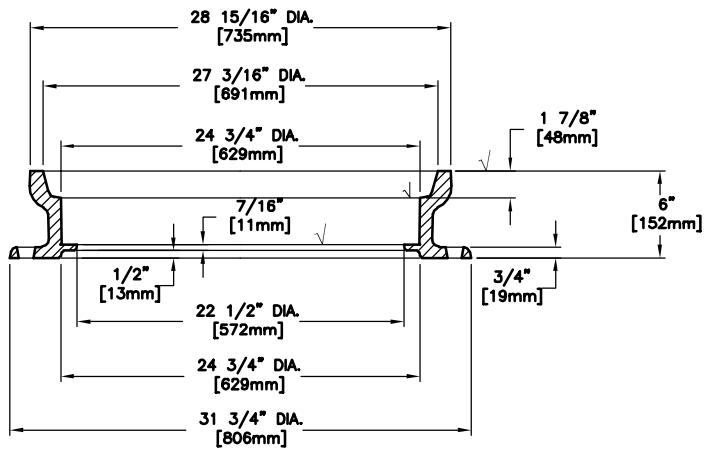
LOAD RATING
HEAVY DUTY



COVER BACK



COVER SECTION



FRAME SECTION

√ MACHINED SURFACE