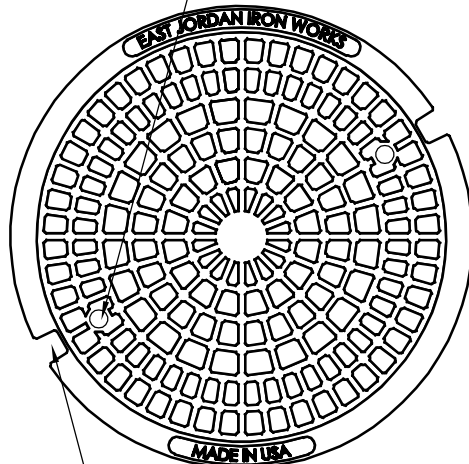
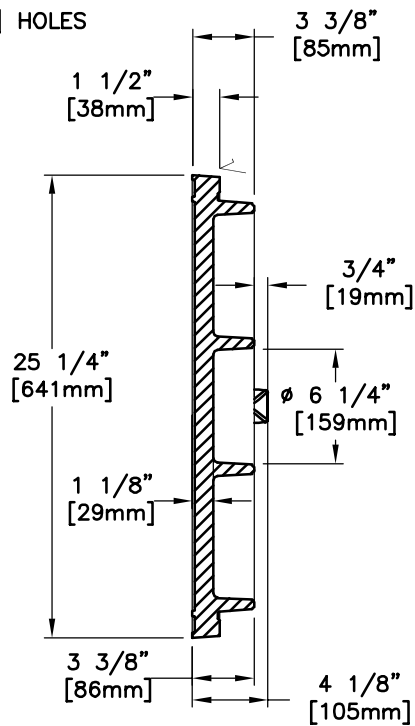


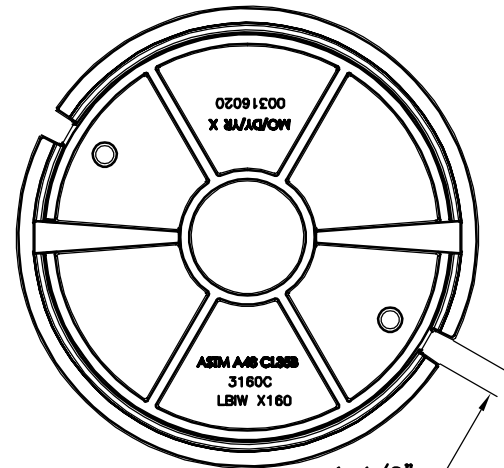
(2) 1" DIA. [25mm.] HOLES



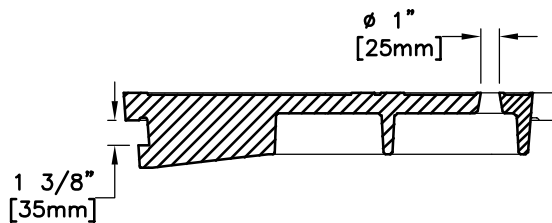
(2) OPEN PICKHOLES



SECTION



BOTTOM VIEW



SECTION

EJIW EAST JORDAN
IRON WORKS EST.1883

800-626-4653
www.ejiw.com
MADE IN USA

PRODUCT NUMBER

00316020

CATALOG NUMBER

3160C

COVER

LOAD RATING

HEAVY DUTY

COATING

DIPPED

ESTIMATED WEIGHT

COVER: 200 LBS 91kg

MATERIAL SPECIFICATION

COVER - GRAY IRON
ASTM A48 CL35B

OPEN AREA

N/A

√ DESIGNATES
MACHINED SURFACE

DRAWN
JIJ

DATE
09/04/03

LAST REVISED

DATE

REFERENCE INFORMATION

00316020