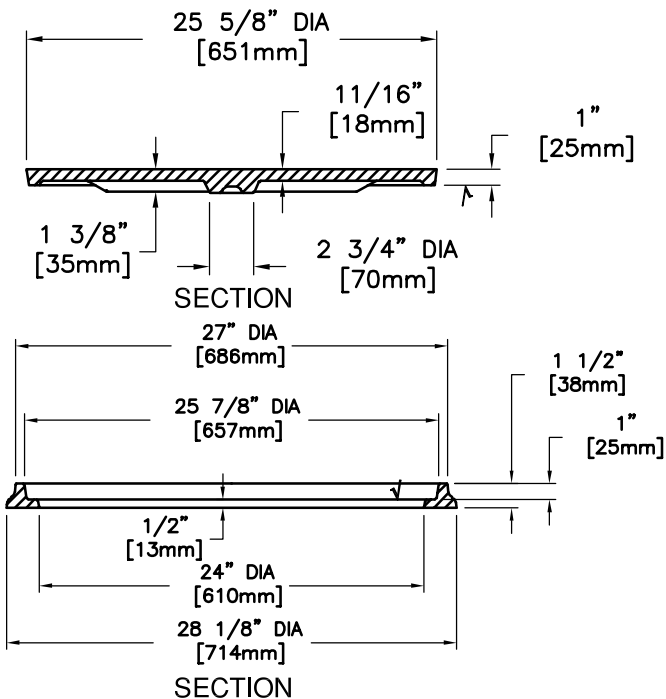


BOTTOM VIEW



√ MACHINED SURFACE

**EAST JORDAN
IRON WORKS, INC.**
P.O. BOX 439
EAST JORDAN, MI. 49727
1-800-874-4100
FAX 231-536-4458

DRAWN DEW	DATE 02/10/04
--------------	------------------

APPROVED	DATE
----------	------

MANHOLE ASSEMBLY
LBIW X101

PRODUCT NO.
00310101

CATALOG NO.
3101C
3101Z

REF. PRODUCT DRAWING
00310121
00310111

EST. WT.
COVER: 105 LBS 48kg
FRAME: 38 LBS 17kg
FRAME: 143 LBS 65kg

OPEN AREA
N/A

MAT'L SPEC.
COVER - GRAY IRON
ASTM A48 CL35B
RING - GRAY IRON
ASTM A48 CL35B

LOAD RATING
XXXXX