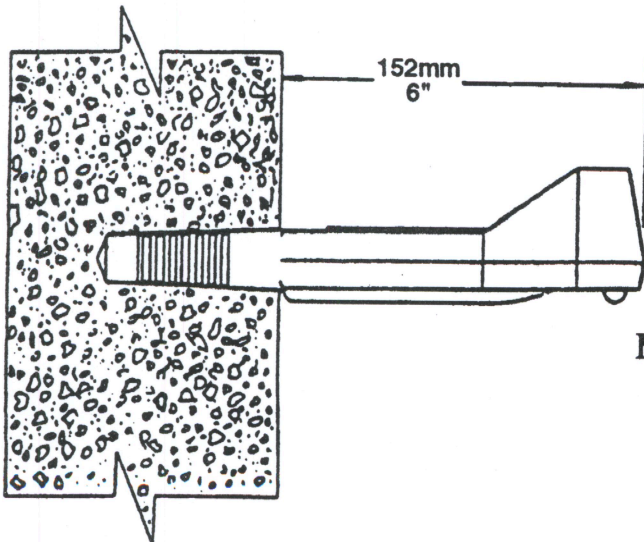
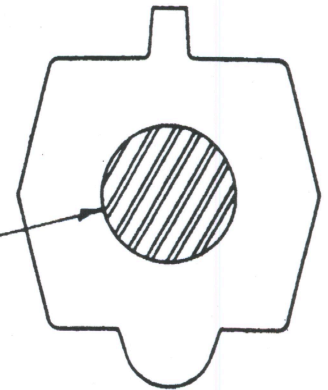


Copolymer Polypropylene Plastic

13mm 1/2" GRADE 60 STEEL REINFORCEMENT



MEETS:

- ASTM-C-478-95a
- ASTM-D-4101-95b
- ASTM-A-615
- AASHTO-M-199



M. A. INDUSTRIES, INC.