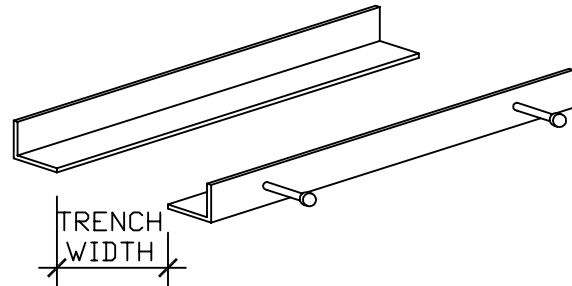
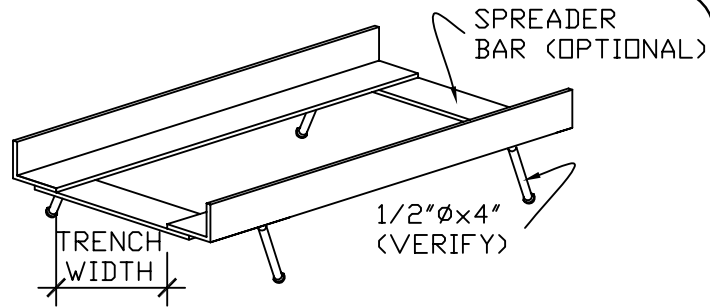
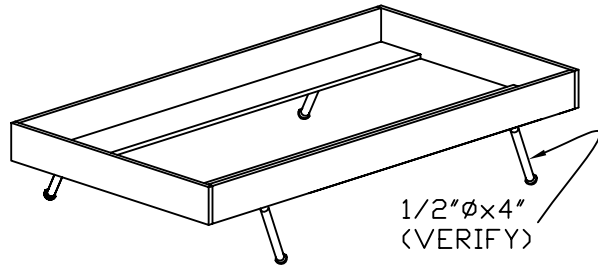
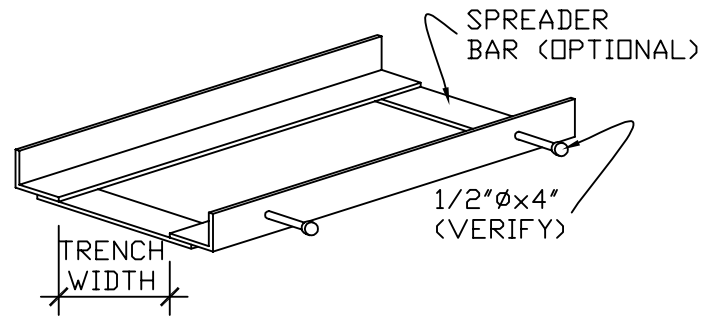


TYPE A



TYPE B



TYPE C

CATALOG NUMBER	GRATE MEASUREMENT	TRENCH WIDTH
LB 2422HF	6" x 24"	4"
LB 2422IF	8" x 24"	6"
LB 2422JF	10" x 24"	8"
LB 2422KF	12" x 24"	10"

NOTES :

- * FRAME TYPES MAY BE FABRICATED FOR SINGLE OR MULTIPLE GRATES
- * TRENCH FRAMES ALSO AVAILABLE FOR LARGER GRATE SIZES
- * BOLTED GRATES AND FRAMES AVAILABLE UPON REQUEST



LBIW Inc.
 2020 WEST 14TH STREET
 LONG BEACH, CA. 90813
 Tel No. : (562) 432.5451
 Fax No. : (562) 432.5929
 www.lbiw.com

PRODUCT NUMBER

LB 2422/X-318

**TRENCH FRAME TYPES
 A, B, AND C**

COATING

GALVANIZED OR
 ASPHALTUM COATED

EST. WEIGHT

SPECIFICATION

OPEN AREA

DESIGNATES MACHINED

DRAWN

EB

REVISED

05-29-09

DATE

12-15-08

DATE

REFERENCE INFORMATION