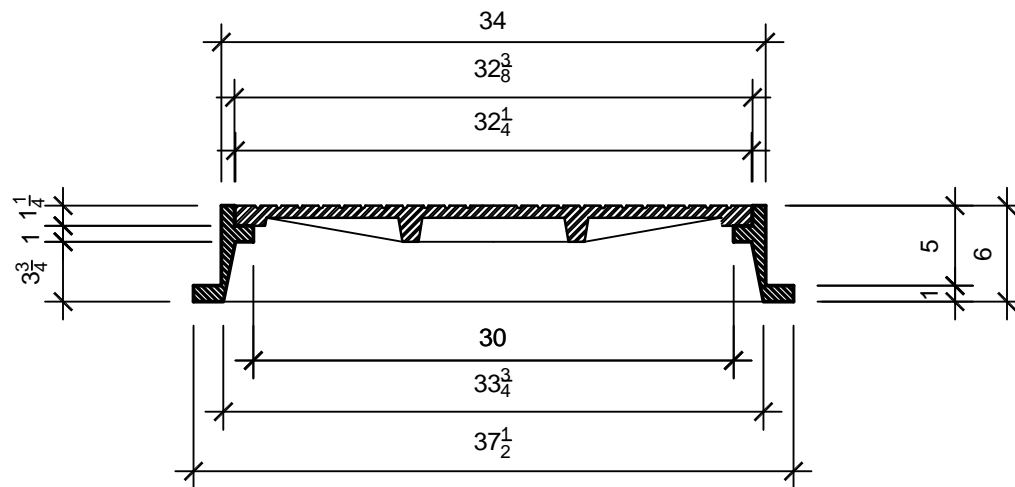




PLAN



SECTION

NOTES :

1. ALL MEASUREMENTS ARE IN INCHES.
2. LETTERS MEASURE 2" (RAISED).



LBIW Inc.

2020 WEST 14TH STREET
LONG BEACH, CA. 90813
Tel No. : (562) 432.5451
Fax No. : (562) 432.5929
www.lbiw.com

PRODUCT NUMBER

LB 1252

*DIAMOND TREAD
PATTERN

LOAD RATING

TRAFFIC RATED

COATING

ASPHALTUM (BLACK)

EST. WEIGHT

COVER	243 IBS
FRAME	164 IBS
TOTAL WT.	407 LBS.

WEIGHTS MAY VARY
MINUS 5 %, PLUS 10 %

SPECIFICATION

COVER-GRAY IRON
ASTM A48 CL35B
FRAME-GRAY IRON
ASTM A48 CL35B

DESIGNATES MACHINED

DRAWN	DATE
EB	04-13-09
REVISED	DATE
05-22-09	

REFERENCE INFORMATION

SECTION 02