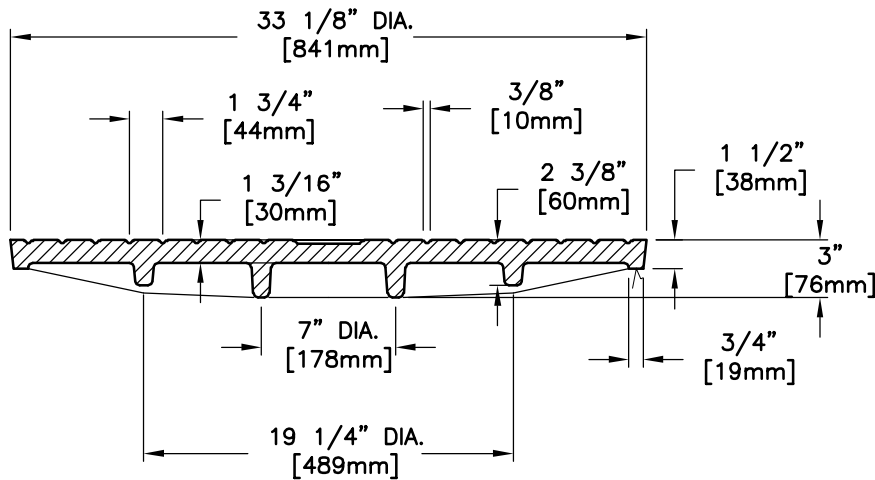


13/16" [21mm] DIA
HANDLING HOLE



EAST JORDAN
IRON WORKS, INC.
P.O. BOX 439
EAST JORDAN, MI. 49727
1-800-874-4100
FAX 231-536-4458

DRAWN SBB	DATE 11/22/02
--------------	------------------

APPROVED	DATE
----------	------

MANHOLE COVER (LBIW X163)

PRODUCT NO.

00316320

CATALOG NO.

3163C

REF. PRODUCT DRAWING

00316320

EST. WT.

COVER: 320 LBS 145kg

OPEN AREA

N/A

MAT'L SPEC.
COVER - GRAY IRON
ASTM A48 CL35

LOAD RATING

HEAVY DUTY

✓ MACHINED SURFACE