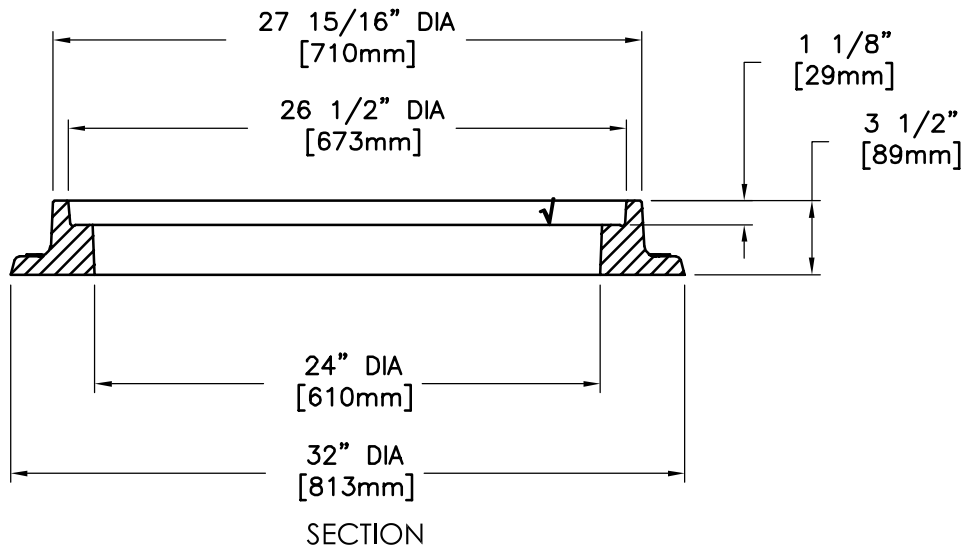


(1) 1" (25mm) DIA  
HANDLING HOLE



√ MACHINED SURFACE

**EAST JORDAN  
IRON WORKS, INC.**  
P.O. BOX 439  
EAST JORDAN, MI. 49727  
1-800-874-4100  
FAX 231-536-4458

DRAWN DEW	DATE 02/23/04
--------------	------------------

APPROVED	DATE
----------	------

**MANHOLE FRAME**

PRODUCT NO.

**00318010**

CATALOG NO.

**3180Z**

REF. PRODUCT DRAWING

**00318010**

EST. WT.

FRAME: 165 LBS 75kg

OPEN AREA

N/A

MAT'L SPEC.

FRAME - GRAY IRON  
ASTM A48 CL35B

LOAD RATING

**HEAVY DUTY**