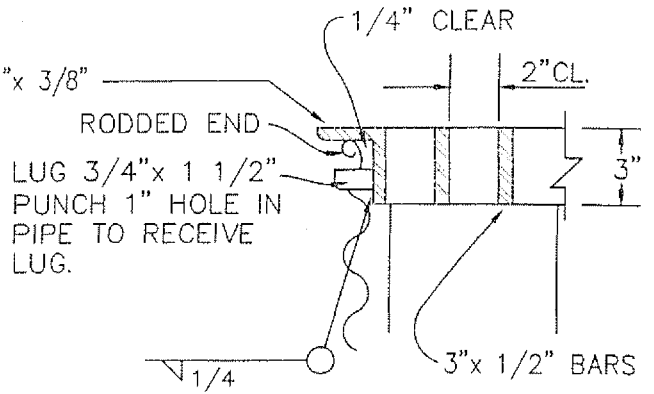
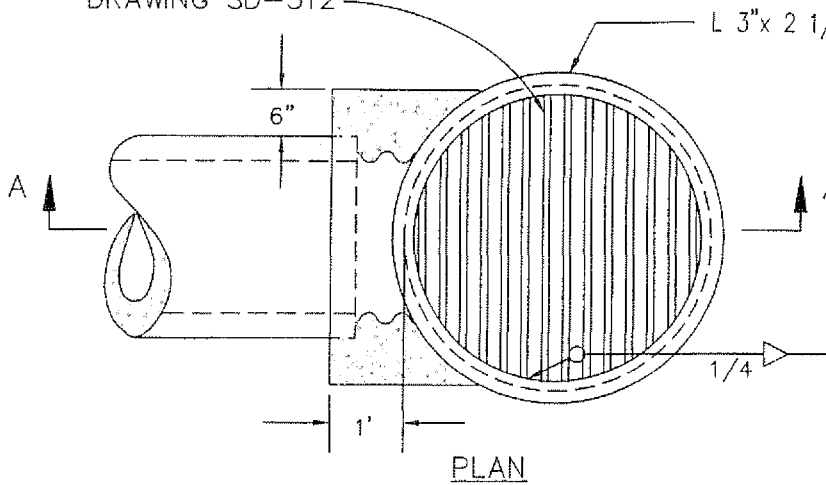
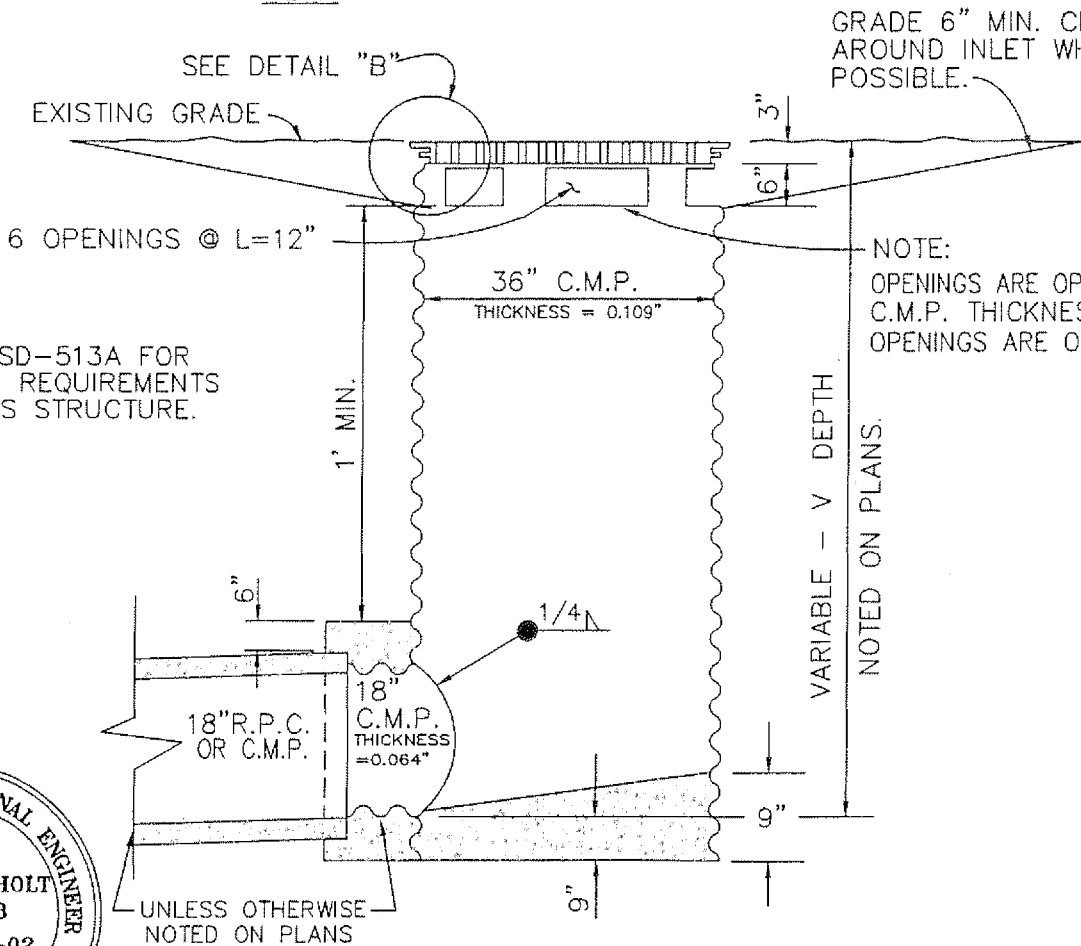


GRATE (OR CHECKERED \square OPTIONAL) SEE STANDARD DRAWING SD-512



DETAIL "B"



SECTION A-A

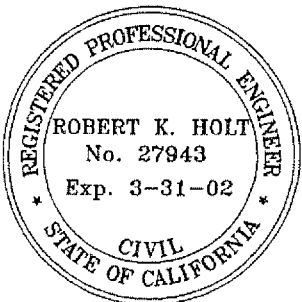
NOTE:
SEE SHEET SD-513A FOR
COMPACTION REQUIREMENTS
ROUND THIS STRUCTURE.

NOTE:
OPENINGS ARE OPTIONAL. USE 36"
C.M.P. THICKNESS=0.064 WHEN
OPENINGS ARE OMITTED.

VARIABLE - V DEPTH
NOTED ON PLANS.

NOTES:

1. PLACE GRATE BARS PARALLEL TO FLOW.
2. GRATE AND FRAME SHALL BE GALVANIZED.



APPROVED: PUBLIC WORKS DIRECTOR

James W. Rodkey, Jr. DATE 9/7/00
JAMES W. RODKEY, JR.

APPROVED: CITY ENGINEER
Robert K. Holt DATE 8/31/00
ROBERT K. HOLT, P.E.

CITY OF
BLYTHE

INLET TYPE X
(GRATE)

STANDARD DRAWING NO. SD-513

REVISION

BY DATE