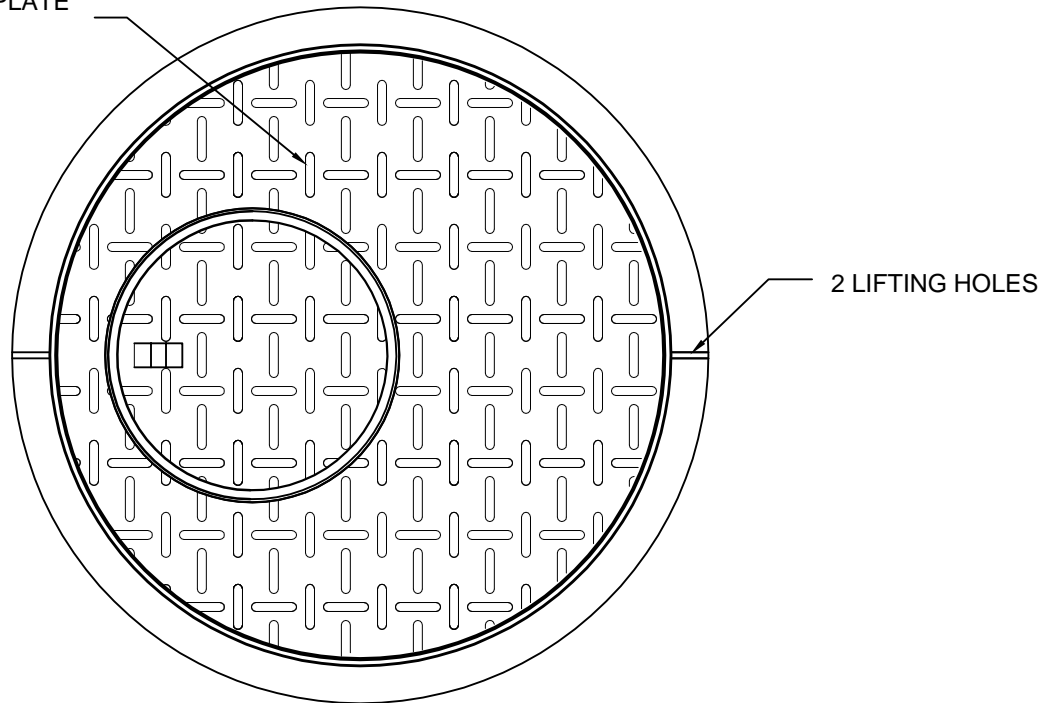
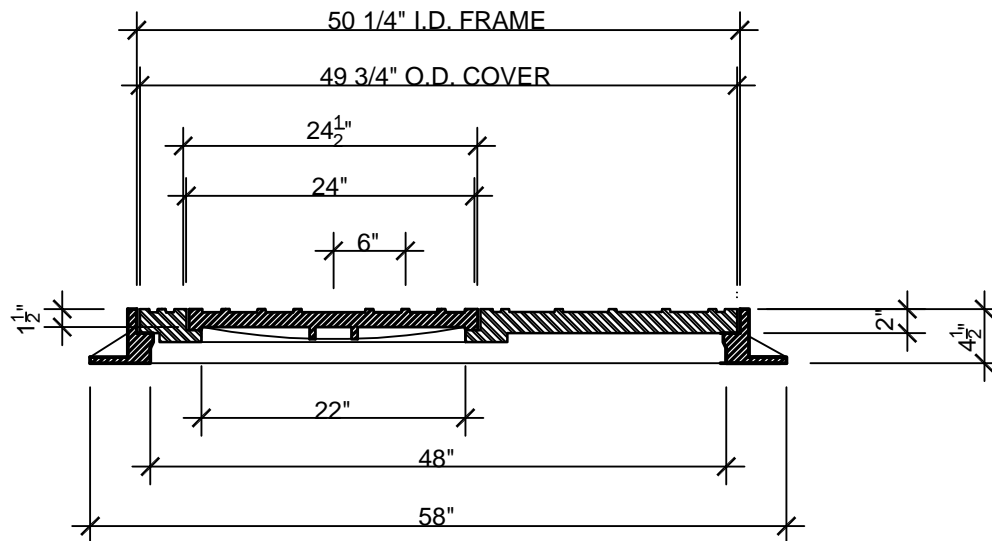


STANDARD PLATE  
PATTERN



PLAN



SECTION



**LBIW Inc.**

2020 WEST 14TH STREET  
LONG BEACH, CA. 90813  
Tel No. : (562) 432.5451  
Fax No. : (562) 432.5929

www.lbiw.com

**PRODUCT NUMBER**

**LB 1348**

**LOAD RATING**

TRAFFIC RATED

**COATING**

ASPHALTUM (BLACK)

**EST. WEIGHT**

OUTER COVER 885 IBS  
INNER COVER 155 IBS  
FRAME 420 IBS  

---

TOTAL WT. 1460 IBS

WEIGHTS MAY VARY  
MINUS 5 %, PLUS 10 %

**SPECIFICATION**

COVER-GRAY IRON  
ASTM A48 CL35B  
FRAME-GRAY IRON  
ASTM A48 CL35B

**OPEN AREA**

**DESIGNATES MACHINED**

**DRAWN**

EB

**DATE**

10-17-08

**REVISED**

03-26-09

**DATE**

**REFERENCE INFORMATION**

SECTION 02