
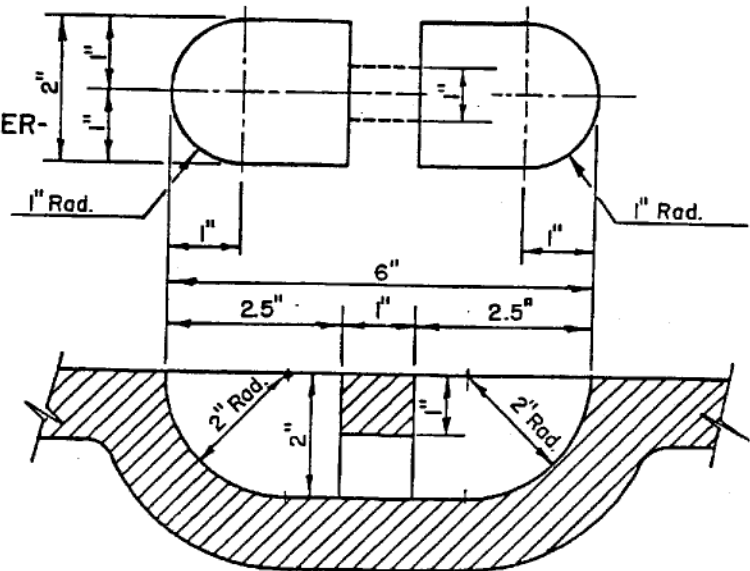
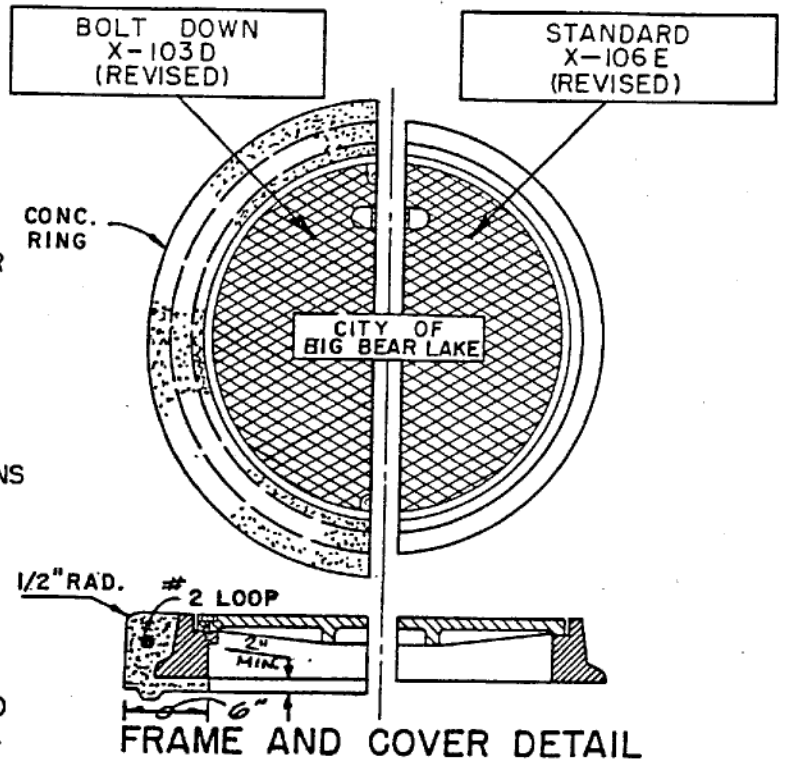


NOTES:

1. FRAME AND COVER SHALL BE LONG BEACH IRON WORKS INC. X-106E AND X-103D OR APPROVED EQUAL WITH LIFTING DEVICE CAST COVER AS PER DETAIL SHOWN BELOW. COVER SHALL BE DIAMOND TREAD WITH NAME LETTERED AS SHOWN.
2. BOLT-DOWN COVERS ARE REQUIRED IN SOME LOCATIONS AND ARE DENOTED THUSLY  ON THE PLANS OR AS DIRECTED BY THE ENGINEER
3. IRON IN CASTINGS SHALL CONFORM TO THE REQUIREMENTS OF A.S.T.M. A-48, CLASS 30
4. TWO ONE-HALF INCH STAINLESS STEEL OR MONEL STEEL HEX. HEAD BOLTS REQUIRED FOR EACH BOLT-DOWN COVER. BOLT HOLES SHALL BE DRILLED COMPLETELY THROUGH THE FRAME AND SHALL BE AMERICAN NATIONAL COURSE THREAD. COVER SHALL BE COUNTER-BORED TO ALLOW BOLTS TO FINISH FLUSH WITH TOP OF COVER.
5. FRAME OF EASEMENT MANHOLES (BOLT-DOWN TYPE) SHALL BE CAST IN CONCRETE PER DETAIL ABOVE
6. BOLT DOWN COVERS REQUIRED ON ALL MANHOLES LOCATED IN EASEMENTS.

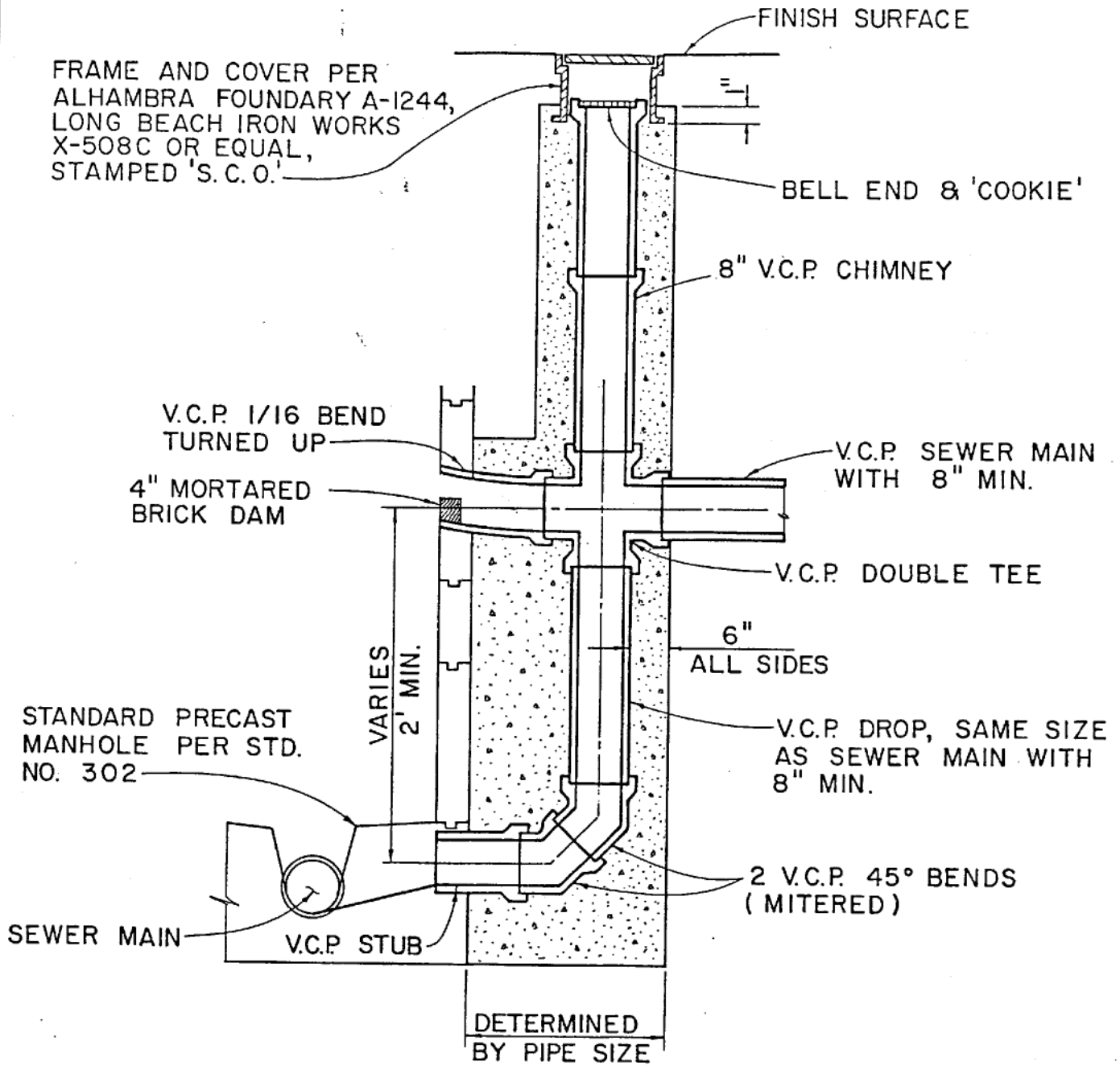


LIFTING RECEPTACLE DETAIL

Revisions	CITY OF BIG BEAR LAKE	Standard Plan No.
4	MANHOLE FRAME AND COVER	
3		302 3 OF 3
2	APPROVED	
1		

DRAFT

16 OCT 89



NOTES:

1. DROP MANHOLE TO BE USED ONLY WITH PRIOR APPROVAL OF THE CITY ENGINEER.
2. DETAILS SHOWN HEREON ARE TO BE USED IN CONJUNCTION WITH PRECAST CONCRETE MANHOLE PER STANDARD NO. 302.
3. ENCASEMENT SHALL BE 3250 PSI PORTLAND CEMENT CONCRETE.

Revisions		CITY OF BIG BEAR LAKE	Standard Plan No.
4		DROP MANHOLE	
3			303
2		APPROVED	
1		DRAFT	
			16 OCT 89