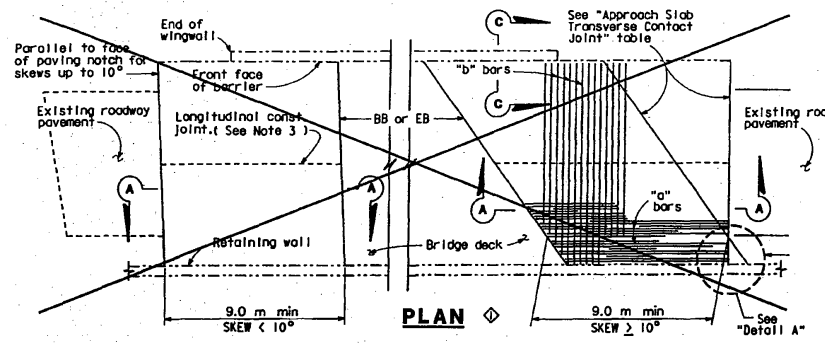


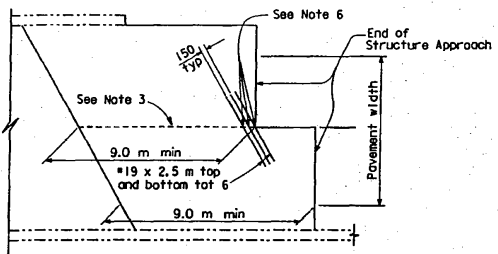
DIST	COUNTY	ROUTE	KILOMETER POST TOTAL PROJECT	SHEET NO.	TOTAL SHEETS
12	Oro	22	R1. 4B/21. 19		

11/14/05  
 REGISTERED ENGINEER - CIVIL  
 Yihh Trich  
 No. 50895  
 Exp. 2-28-2007  
 CIVIL  
 STATE OF CALIFORNIA

PLANS APPROVAL DATE  
 The State of California or its officers or agents shall not be responsible for the accuracy or completeness of electronic copies of this plan sheet.

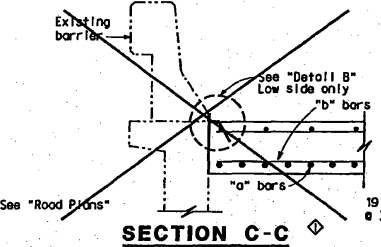
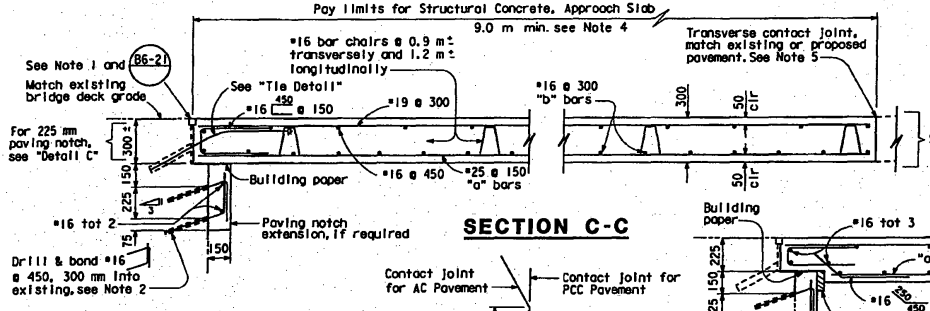


**STRUCTURE APPROACH - END STAGGER DETAIL**

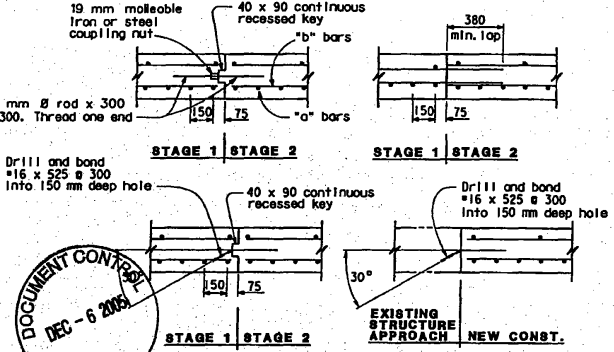


**APPROACH SLAB TRANSVERSE CONTACT JOINT**

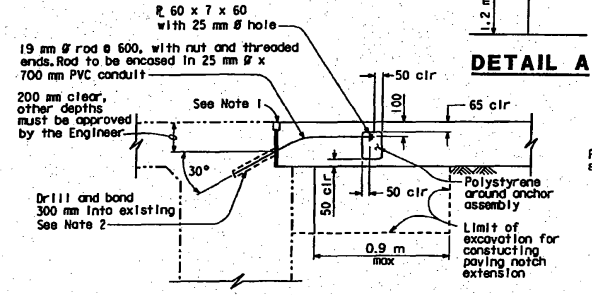
APPROACH SKEW	WITH AC ROADWAY PAVEMENT	WITH PCC ROADWAY PAVEMENT
< 10°	Parallel to face of paving notch	Parallel to face of paving notch
10° - 45°	Parallel to face of P N use (Detail A)	Stagger lines 7.2 m to 10.8 m apart
> 45°	Parallel to face of P N use (Detail A)	Stagger of each lane line



**SECTION C-C**

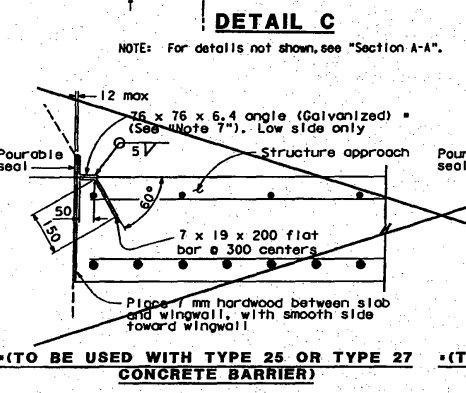


**LONGITUDINAL CONSTRUCTION JOINT ALTERNATIVES**



**TIE DETAIL**

NOTE:  
 THE CONTRACTOR SHALL VERIFY ALL CONTROLLING FIELD DIMENSIONS BEFORE ORDERING OR FABRICATING ANY MATERIAL.



**DETAIL B**

\*(TO BE USED WITH TYPE 25 OR TYPE 27 CONCRETE BARRIER)  
 \*(TO BE USED WITH TYPE 732 OR TYPE 736 CONCRETE BARRIER)



- NOTES:
- For details not shown or noted, see Structure Plans. Adjust bar reinforcement to clear o sowcut for sealed joint, when required.
  - Space to avoid existing prestress anchorages and main reinforcement.
  - Longitudinal construction joints, when permitted by the Engineer, shall be located on lane lines.
  - Transverse contact joint shall be a minimum of 1.5 m from an existing or constructed weakened plane joint.
  - For transverse contact joint with new PCC paving, refer to Standard Plan A35-A.
  - Couplers are required for stage construction.
  - End angle or plate of beginning of barrier transition, end of wingwall or end of structure approach, as applicable.
  - See "Structure Approach Type N(90)" sheet for limits.

NO SCALE  
 ALL DIMENSIONS ARE IN MILLIMETERS UNLESS OTHERWISE SHOWN

ES/PC SUPERSTRUCTURE

**STANDARD DRAWING**

RELEASE DATE	DESIGN BY	CHECKED	RELEASED BY
7/8/03	M. TRAPPALUS	E. THOROLDSEN	
FILE NO.	DETAILS BY	CHECKED	DATE
X83-140	R. YEE	E. THOROLDSEN	
	SUBMITTED BY	DRAWING DATE	OFFICE CHIEF
	M. MA	8/28	

Delete Details  
 Add note

STATE OF CALIFORNIA  
 DEPARTMENT OF TRANSPORTATION

DIVISION OF ENGINEERING SERVICES

BRIDGE NO. 55-0342  
 KILOMETER POST R 15.85

CU 12221  
 EA 071611

**SANTA ANA RIVER BRIDGE (WIDEN)**

**STRUCTURE APPROACH TYPE R(9D)**

DISREGARD PRINTS BEARING EARLIER REVISION DATES

REVISION DATES (PRELIMINARY STAGE ONLY)

NO.	DATE	DESCRIPTION
1		
2		
3		
4		
5		
6		
7		
8		
9		
10		

SHEET 1 OF 1