



LBIW Inc.

2020 WEST 14TH STREET
LONG BEACH, CA. 90813
Tel No. : (562) 432.5451
Fax No. : (562) 432.5929

www.lbiw.com

PRODUCT NUMBER

LB 1501

LOAD RATING

TRAFFIC RATED

COATING

ASPHALTUM (BLACK)

EST. WEIGHT

COVER	000 IBS
FRAME	000 IBS
TOTAL WT.	961 LBS.

WEIGHTS MAY VARY
MINUS 5 %, PLUS 10 %

SPECIFICATION

LACSD S-a-229

COVER-GRAY IRON
ASTM A48 CL35B
FRAME-GRAY IRON
ASTM A48 CL35B

DESIGNATES MACHINED

DRAWN

EB

REVISED

03-26-09

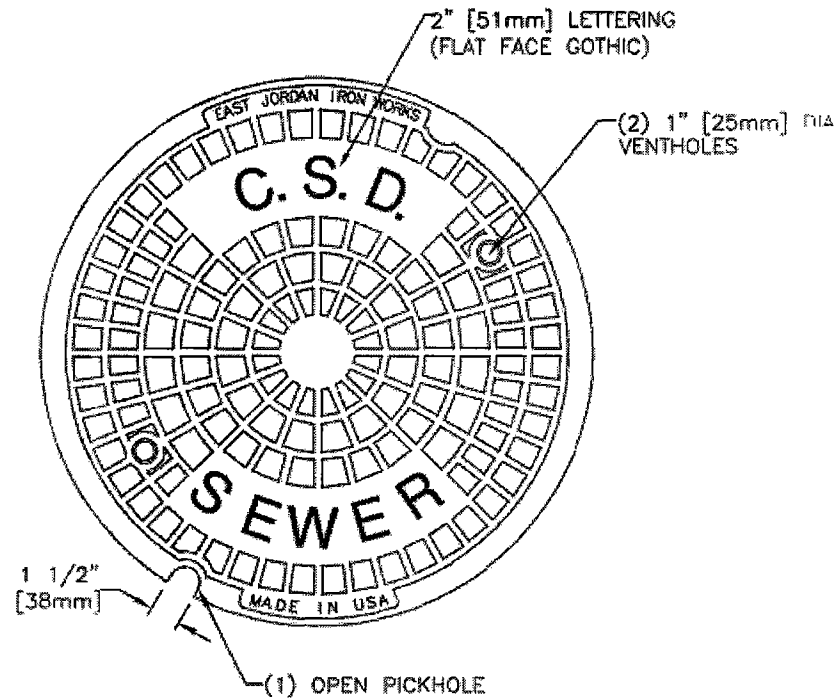
DATE

02-13-09

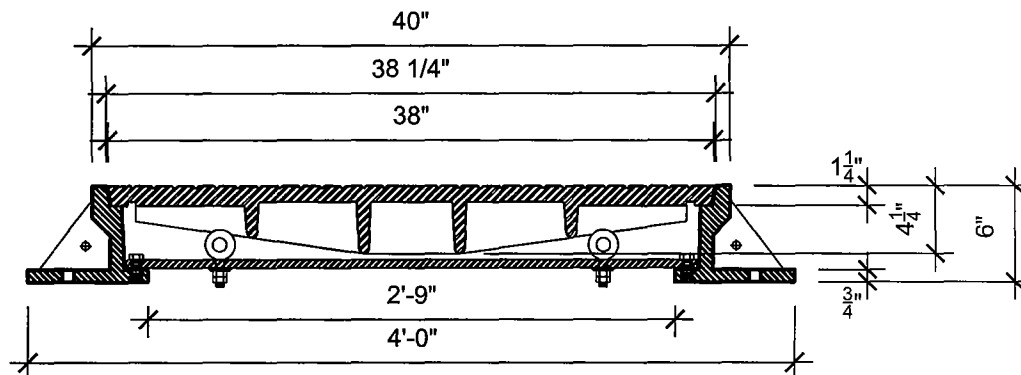
DATE

REFERENCE INFORMATION

SECTION 02



PLAN



SECTION