

EJIW EAST JORDAN
IRON WORKS EST. 1883

800-626-4653
www.ejiw.com
MADE IN USA

PRODUCT NUMBER

47382030

CATALOG NUMBER

V-7382

**PEDESTRIAN
TRENCH GRATE**

LOAD RATING

HEAVY DUTY

COATING

UNDIPPED

MATERIAL SPECIFICATION
GRATE - GRAY IRON
ASTM A48 CL35B

OPEN AREA
N/A

√ DESIGNATES MACHINED
SURFACE

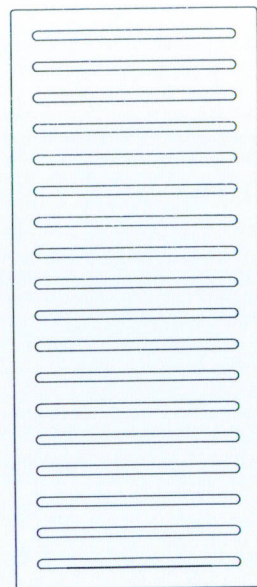
DRAWN
DEW

DATE
12/09/04

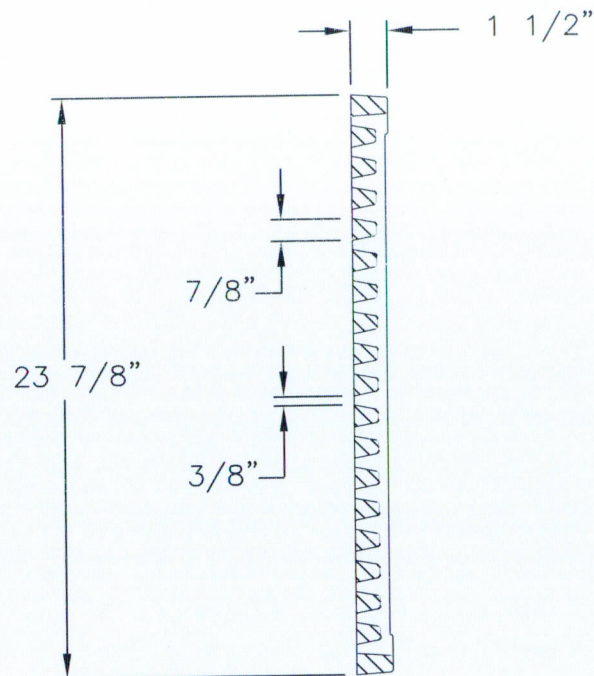
LAST REVISED
GAD

DATE
02/09/09

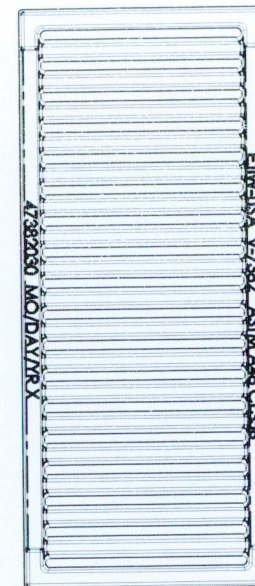
REFERENCE INFORMATION



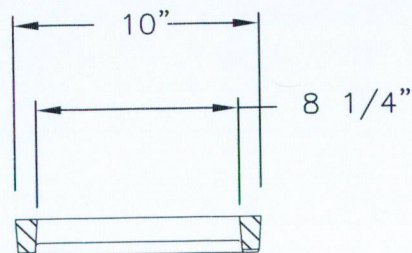
GRATE TOP VIEW



GRATE SECTION



GRATE BOTTOM VIEW



GRATE SECTION

CONFIDENTIAL: This drawing is the property of East Jordan Iron Works, Inc. and embodies confidential information, trade secret information, and/or know how that is the property of East Jordan Iron Works, Inc. © Copyright 2007 East Jordan Iron Works, Inc.