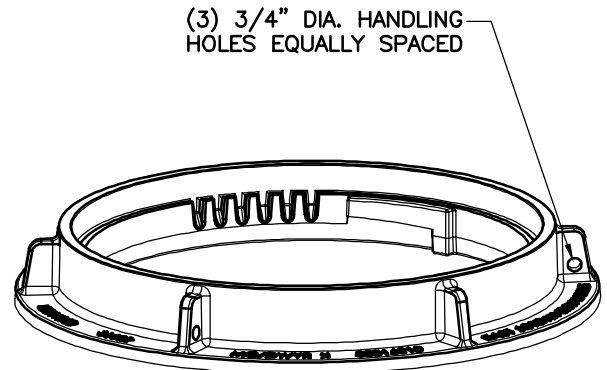


SECTION



ISOMETRIC VIEW

√ MACHINED SURFACE

EAST JORDAN IRON WORKS, INC. P.O. BOX 439 EAST JORDAN, MI. 49727 1-800-874-4100 FAX 231-536-4458	
DRAWN JIJ	DATE 12/19/03
APPROVED	DATE
<h2>LOCKING MANHOLE FRAME</h2>	
PRODUCT NO. <h3>00316010</h3>	
CATALOG NO. <h3>3160Z</h3>	
REF. PRODUCT DRAWING <h3>00316010</h3>	
EST. WT. FRAME: 155 LBS 70kg	
OPEN AREA N/A	
MAT'L SPEC. FRAME - GRAY IRON ASTM A48 CL35	
LOAD RATING HEAVY DUTY	