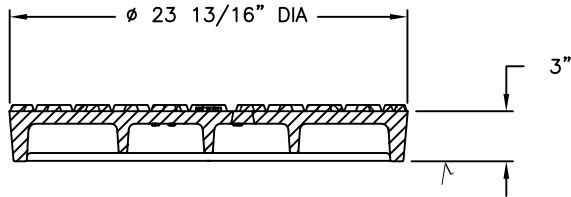
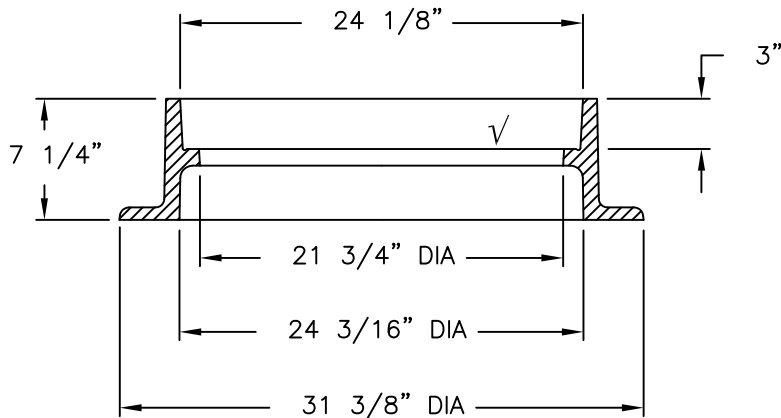


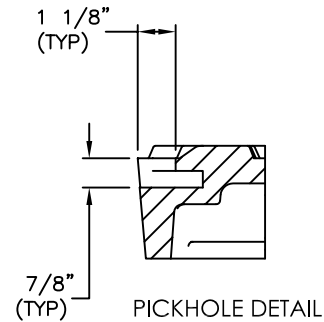
BOTTOM VIEW



COVER SECTION



FRAME SECTION



PICKHOLE DETAIL

EJIW EAST JORDAN
IRON WORKS EST.1883

800-626-4653
www.ejiw.com
MADE IN USA

PRODUCT NUMBER

00183501

CATALOG NUMBER

1835A DI
1835Z

**MANHOLE
ASSEMBLY**

EXTRA HEAVY DUTY
(PROOF LOAD TESTED
TO 200,000 LBS.)

COATING
UNDIPPED

MATERIAL SPECIFICATION
COVER - DUCTILE IRON
ASTM A536
FRAME - GRAY IRON
ASTM A48 CL35B

OPEN AREA
N/A

√ DESIGNATES MACHINED
SURFACE

DRAWN SBB	DATE 11/16/04
--------------	------------------

LAST REVISED GAD	DATE 06/15/09
---------------------	------------------

REFERENCE INFORMATION

00183522
00183511