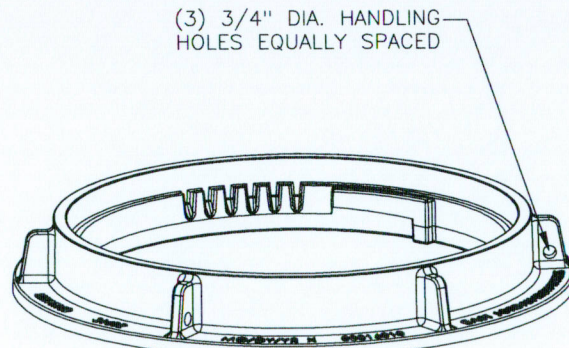


SECTION



ISOMETRIC VIEW

√ MACHINED SURFACE

EAST JORDAN IRON WORKS, INC. P.O. BOX 439 EAST JORDAN, MI. 49727 1-800-874-4100 FAX 231-536-4458	
DRAWN JIJ	DATE 12/19/03
APPROVED	DATE
<b>LOCKING          MANHOLE          FRAME</b>	
PRODUCT NO. <b>00316010</b>	
CATALOG NO. <b>3160Z</b>	
REF. PRODUCT DRAWING 00316010	
EST. WT. FRAME: 155 LBS 70kg	
OPEN AREA N/A	
MAT'L SPEC. FRAME - GRAY IRON ASTM A48 CL35	
LOAD RATING HEAVY DUTY	