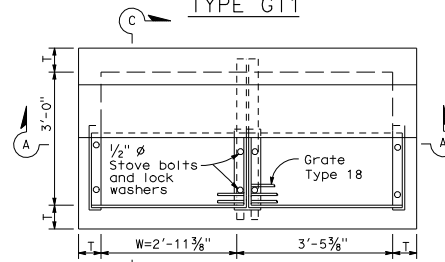
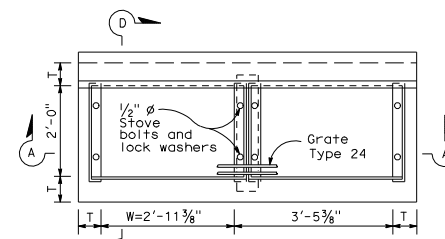


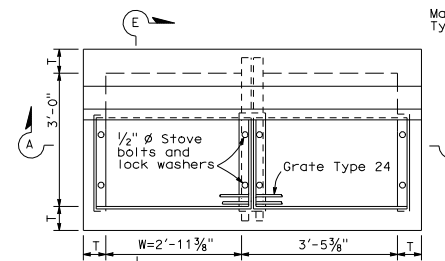
PLAN  
TYPE GT1



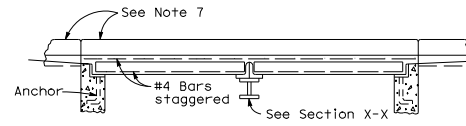
PLAN  
TYPE GT2



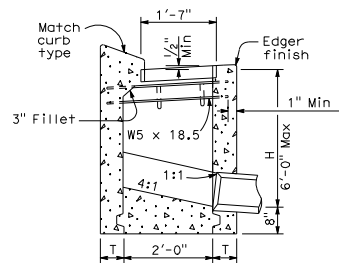
PLAN  
TYPE GT3



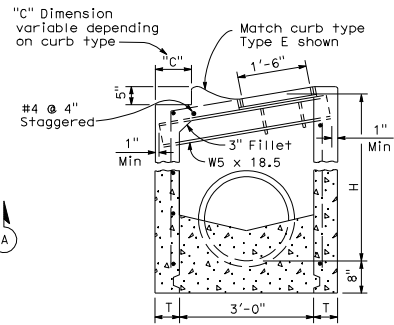
PLAN  
TYPE GT4



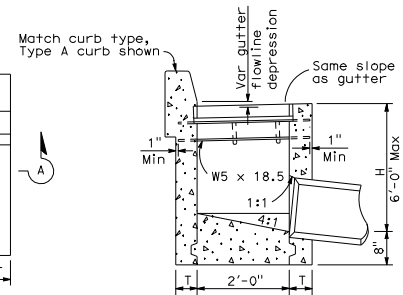
SECTION A-A



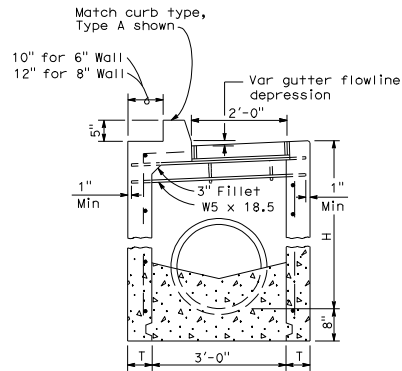
SECTION B-B



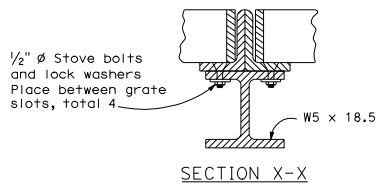
SECTION C-C



SECTION D-D



SECTION E-E



SECTION X-X

NOTES:

- "H" is the difference in elevation between the outlet pipe flow line and the normal gutter grade line undepressed.
- For "T" wall thickness, see Table A below.
- Wall reinforcing not required when "H" is 8'-0" or less and the unsupported width or length is 7'-0" or less. Walls exceeding these limits shall be reinforced with #4 bars @ 1'-6" ± centers placed 1/2" clear to inside of box unless otherwise shown.
- Inlet bottom reinforcing not required. See Standard Plan D74C for alternative reinforced bottom.
- Steps - None required where "H" is less than 2'-6". Where "H" is 2'-6" or more, install steps with lowest rung 1'-0" above the floor and highest rung not more than 6" below top of inlet. The distance between steps shall not exceed 1'-0" and shall be uniform throughout the length of the wall. Place steps in the wall without an opening. Step inserts may be substituted for the bar steps. Step Inserts shall comply with State Industrial Safety requirement. See Standard Plan D74C for step details.
- Pipe(s) can be placed in any wall.
- Curb section shall match adjacent curb.
- Basin floors shall have wood trowel finish and a minimum slope of 4:1 from all directions toward outlet pipe.
- Galvanizing - See Standard Specifications or Special Provisions.
- W = 2'-11 3/8" for one grate. Add 3'-5 3/8" for additional grates in tandem.
- See Standard Plans D77A and D77B for grate and frame details and weights of miscellaneous iron and steel.
- See Standard Plan D78A for gutter depression details.
- Full penetration butt welds may be substituted for the fillet welds on all anchors.
- Standard square, hexagon, round or equivalent headed anchors may be substituted for the right angle hooks on the anchors shown on this plan.
- Cast-in-place or precast alternative is optional with contractor. See Standard Specifications.
- Cast-in-place inlets to be formed around all pipes/stubs intersecting the inlet and concrete poured in one continuous operation. Precast inlets shall have mortared pipe connections conforming to details for Type GCP inlet on Standard Plan D75B. See Standard Specifications for mortar composition.

TABLE A

| TYPE | CONCRETE QUANTITIES     |                            |                          |                            |
|------|-------------------------|----------------------------|--------------------------|----------------------------|
|      | H=3'-0" TO 8'-0" (T=6") |                            | H=8'-1" TO 20'-0" (T=8") |                            |
|      | H=3'-0" CY              | ADDITIONAL PCC PER FOOT CY | H=8'-1"                  | ADDITIONAL PCC PER FOOT CY |
| GT1  | 1.74                    | 0.348                      | See Note A               | See Note A                 |
| GT2  | 2.11                    | 0.385                      | 5.40                     | 0.530                      |
| GT3  | 1.73                    | 0.348                      | See Note A               | See Note A                 |
| GT4  | 2.18                    | 0.385                      | 5.41                     | 0.530                      |

Table based on 8" floor slab, no deduction for pipe openings, and curb type giving highest quantity of concrete. No deductions or adjustments are to be made to these quantities because of pipe openings, different floor alternatives or different curb type.

NOTE A: Maximum allowable height = 6'-0".

|      |        |       |                          |           |              |
|------|--------|-------|--------------------------|-----------|--------------|
| DIST | COUNTY | ROUTE | POST MILES TOTAL PROJECT | SHEET NO. | TOTAL SHEETS |
|      |        |       |                          |           |              |

REGISTERED CIVIL ENGINEER  
 Glenn DeCoo  
 No. C34547  
 Exp. 9-30-07  
 CIVIL  
 STATE OF CALIFORNIA

May 1, 2006  
 PLANS APPROVAL DATE

The State of California or its officers or agents shall not be responsible for the accuracy or completeness of electronic copies of this plan sheet.

To get to the Caltrans web site, go to <http://www.dot.ca.gov>

STATE OF CALIFORNIA  
 DEPARTMENT OF TRANSPORTATION  
**DRAINAGE INLETS**  
 NO SCALE

**D74A**