

**EJIW EAST JORDAN**  
IRON WORKS EST. 1883

800-626-4653  
www.ejiw.com  
MADE IN USA

PRODUCT NUMBER

**47383203**

CATALOG NUMBER

**V7383-20**

**MANHOLE  
GRATE**

LOAD RATING  
**HEAVY DUTY**

COATING  
**UNDIPPED**

ESTIMATED WEIGHT

GRATE: 66 LBS

MATERIAL SPECIFICATION

GRATE - GRAY IRON  
ASTM A48 CL35B

OPEN AREA  
64 SQ IN

√ DESIGNATES MACHINED  
SURFACE

DRAWN  
DAL

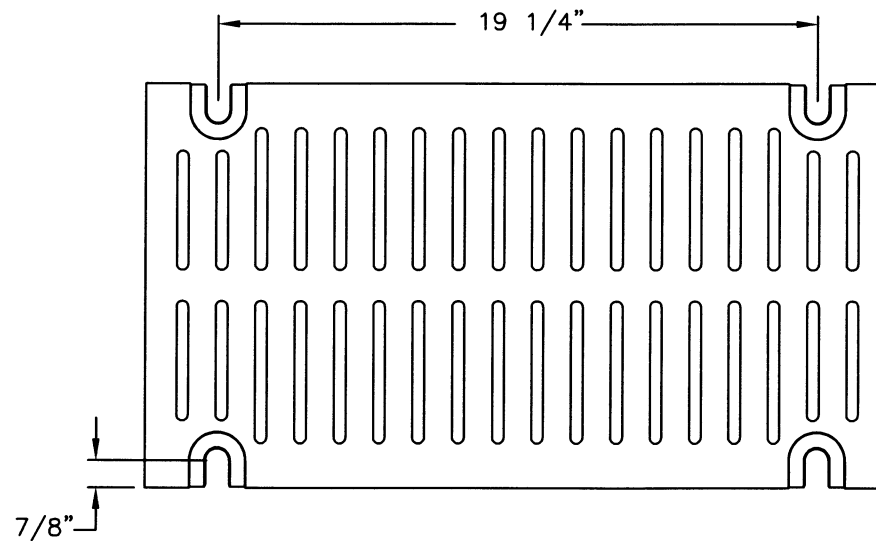
DATE  
08/26/06

LAST REVISED  
DAL

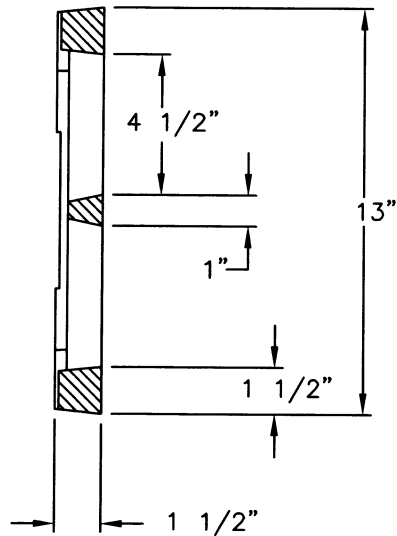
DATE  
01/23/08

REFERENCE INFORMATION

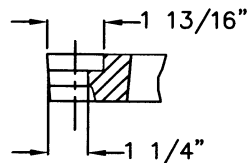
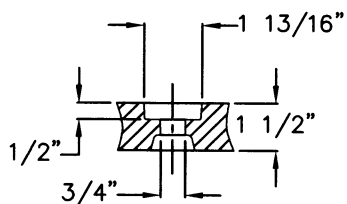
47383203.1C  
47383203.1D



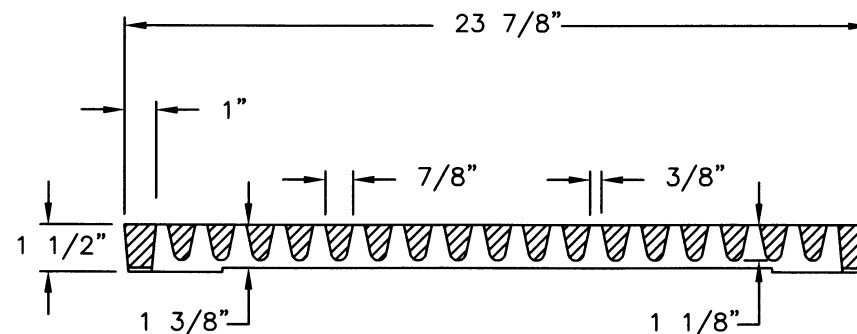
GRATE TOP VIEW



GRATE SECTION



BOLT SLOT DETAIL



GRATE SECTION