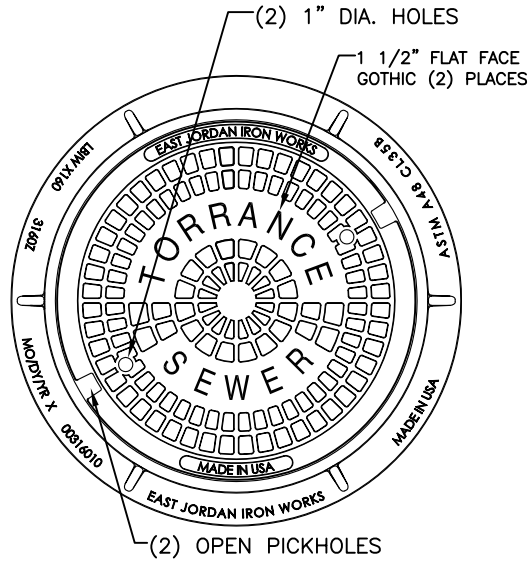
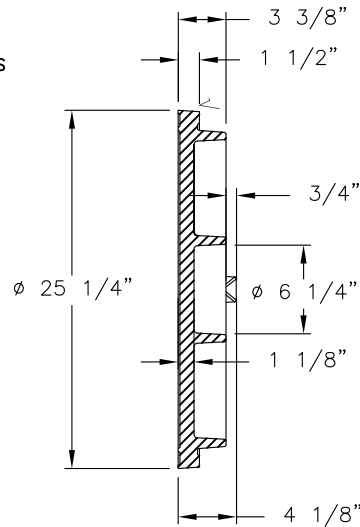


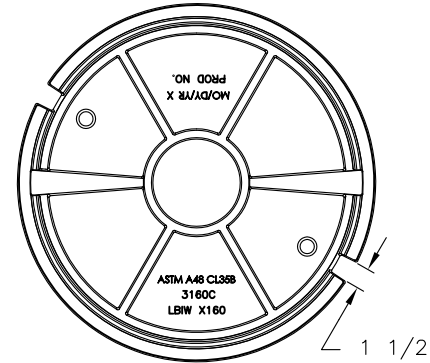
# 3160Z 3160C Assembly



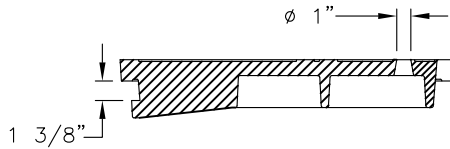
PLAN VIEW



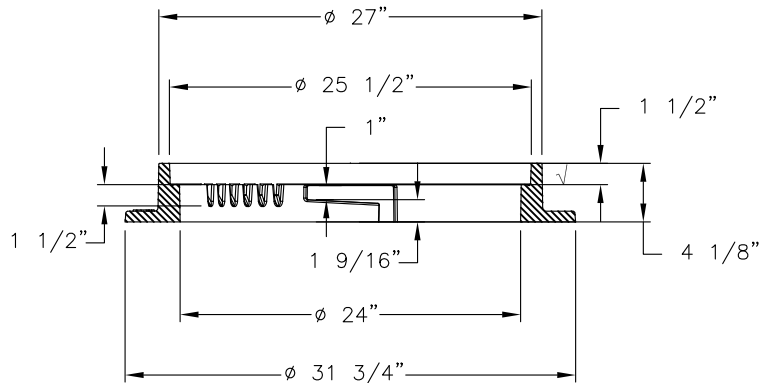
SECTION VIEW



BOTTOM VIEW



SECTION VIEW



SECTION VIEW

## Product Number

00316026A01

## Design Features

- Materials
  - Frame
    - Gray Iron (CL35B)
  - Cover
    - Gray Iron (CL35B)

- Design Load
  - Heavy Duty
- Open Area
  - n/a
- Coating
  - Dipped
- √ Designates Machined Surface

## Certification

- ASTM A48
- 
- 
- Country of Origin: USA

## Major Components

00316010  
00316026

## Drawing Revision

2/26/2013 Designer: DAE  
Revised By:

## Disclaimer

Weights (lbs./kg) dimensions (inches/mm) and drawings provided for your guidance. We reserve the right to modify specifications without prior notice.

CONFIDENTIAL: This drawing is the property of EJ GROUP, Inc., and embodies confidential information, registered marks, patents, trade secret information, and/or know how that is the property of EJ GROUP, Inc. Copyright © 2012 EJ GROUP, Inc. All rights reserved.

## Contact

800 626 4653  
ejco.com