



LBIW Inc.

2020 WEST 14TH STREET
LONG BEACH, CA. 90813
Tel No. : (562) 432.5451
Fax No. : (562) 432.5929

www.lbiw.com

PRODUCT NUMBER

LB 1257/X-508C

LOAD RATING

TRAFFIC RATED

COATING

ASPHALTUM (BLACK)

EST. WEIGHT

WEIGHTS MAY VARY
MINUS 5 %, PLUS 10 %

SPECIFICATION

CITY OF BIG BEAR LAKE
STD. DWG. NO. 311

OPEN AREA

DESIGNATES MACHINED

DRAWN

EB

DATE

01-14-09

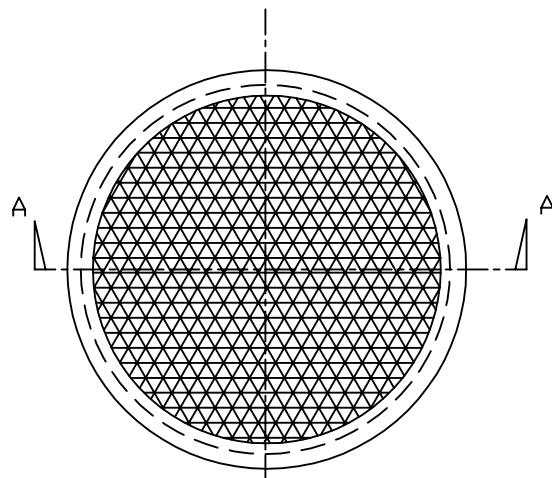
REVISED

02-19-09

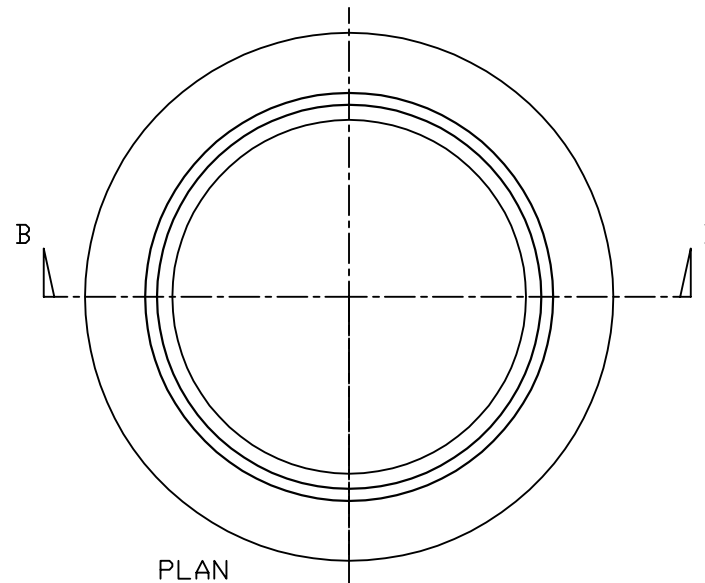
DATE

REFERENCE INFORMATION

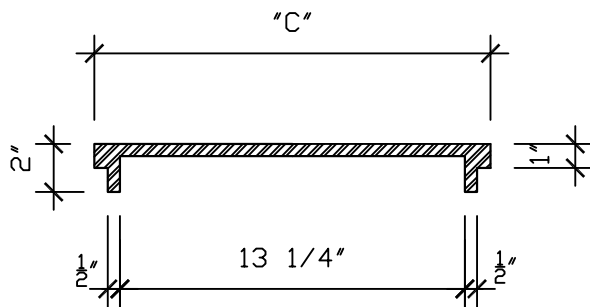
SECTION 03



PLAN

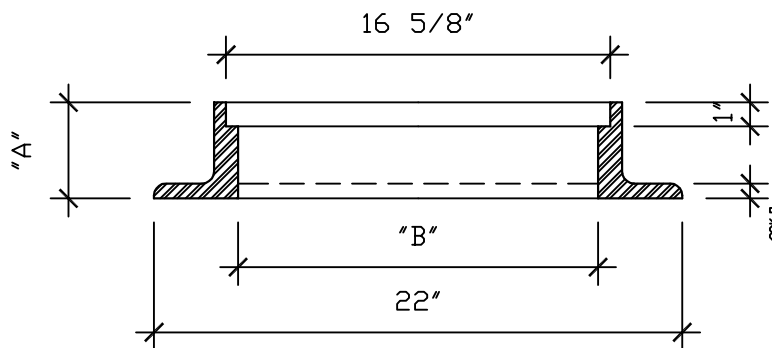


PLAN



SECTION A-A

ACCESS COVER



SECTION B-B

ACCESS FRAME

NOTE : ALL MEASUREMENTS ARE IN INCHES

SEWER CLEANOUT ASSEMBLY

CATALOG NUMBER	OVERALL HEIGHT "A"	CLEAR OPENING "B"	O.D. OF COVER "C"	APPROX. WEIGHT
LB 1257	5"	15"	16 1/2"	145 lbs