



FloGard®

MEASUREMENT CHART

(CURB INLETS STD.)

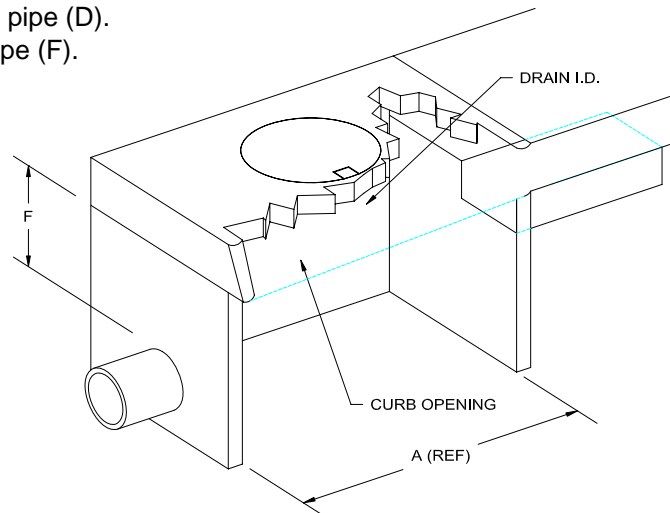
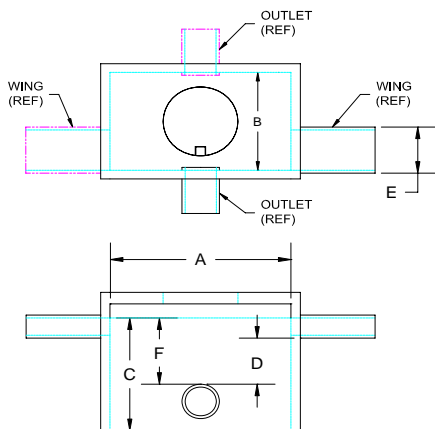
Company: _____
Contact: _____
 Ph/Fax/E-mail: _____
Job Name: _____
Job Location: _____
Page _____ **of** _____

MEASUREMENTS

Qty/Drain No.	CURB OPENING		NOTE 2	NOTE 3	WING WIDTH	NOTE 4	# OF WINGS
	A	B	C	D	E	F	

Notes:

1. Please give measurements to within 1/8".
2. Total CB inside depth below inlet flowline
3. Measure from bottom of wing to top of outlet pipe (D).
4. Measure from inlet flowline to top of outlet pipe (F).



Comments: _____
