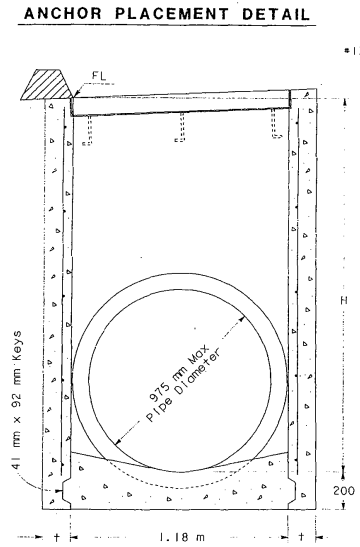
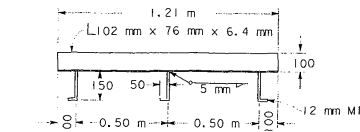
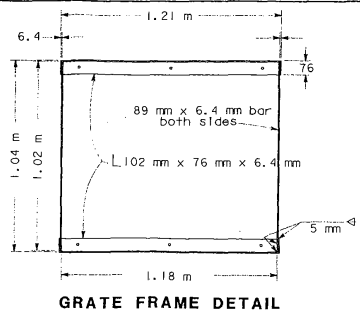
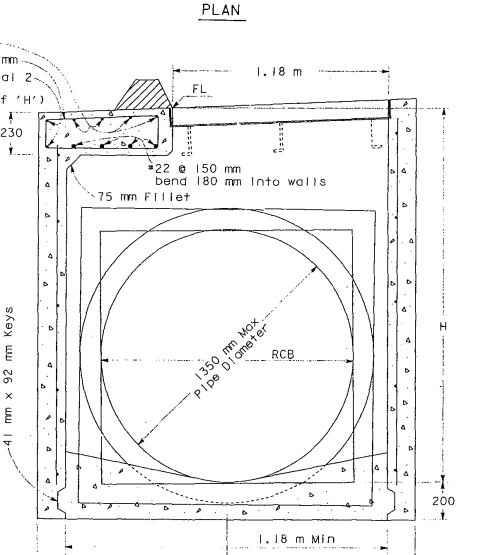
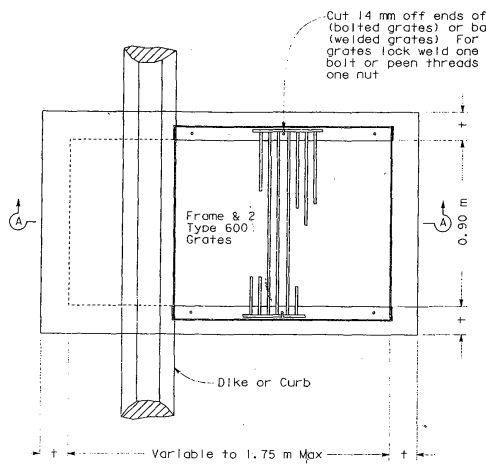


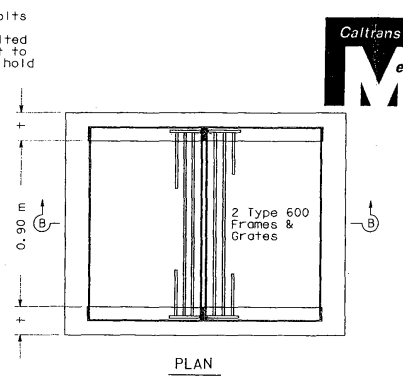
STATE OF CALIFORNIA - DEPARTMENT OF TRANSPORTATION
Caltrans
 PROJECT ENGINEER
 JERREL KAM
 HYDRAULICS



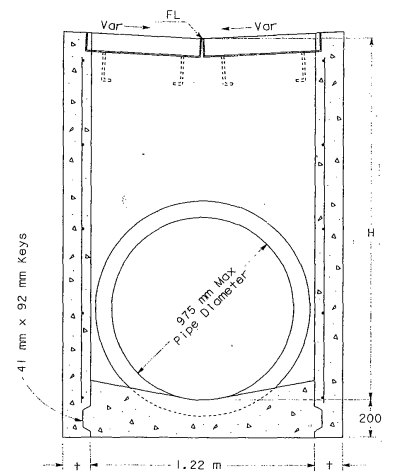
GD-1
 SECTION A-A
 (For pipe diameters 975 mm or less)



GD-2
 SECTION A-A
 DRAINAGE INLETS



For grate, frame and anchor placement details see Standard Plans RSP D77A and Standard Plan D77B



GD-3
 SECTION B-B
 (For pipe diameters 975 mm or less)



DIST	COUNTY	ROUTE	KILOMETER POST MILE	SHEET	TOTAL SHEETS
07	LA	SBD	30	138	521

REGISTERED CIVIL ENGINEER
 JERREL KAM
 12-21-99
 4-10-00
 PLANS APPROVAL DATE
 No. 48351
 Exp. 6-30-00
 CIVIL
 STATE OF CALIFORNIA
 The State of California or its officers or agents shall not be responsible for the accuracy or completeness of electronic copies of this plan sheet.
 Caltrans now has a web site. To get to the web site, go to: <http://www.state.ca.us>

- NOTES**
- 'H' is the difference in elevation between the outlet pipe flow line and the flow line of the grates
 - Steps - None required when 'H' is 1.07 m or less. Install one step 400 mm above floor when 'H' is more than 1.07 m and less than 1.52 m. Where 'H' is more than 1.52 m steps shall be evenly spaced @ 300 mm intervals from 400 mm above floor to within 300 mm of the top of the box. Place steps in wall without pipe openings. See Standard Plan D74C for step detail.
 - Pipe(s) can be placed in any wall
 - Reinforcing steel not required in walls when H=1.81 m or less
 - Reinforcing steel in walls shall be #13 bars @ 450 mm centers placed 40mm clear to inside of box

MISCELLANEOUS IRON & STEEL

Inlet Type	Grate Type	MASS (kg)
GD-1 & GD-2	600 - 12	288
	600 - 10C	172
	600 - 10S	197
	600 - 12X	206
	600 - 13	159
GD-3	600 - 12	296

H	t
2.50 m or less	150 mm
2.51 m to 6.00 m	200 mm

DRAINAGE DETAILS
 NO SCALE
D-56