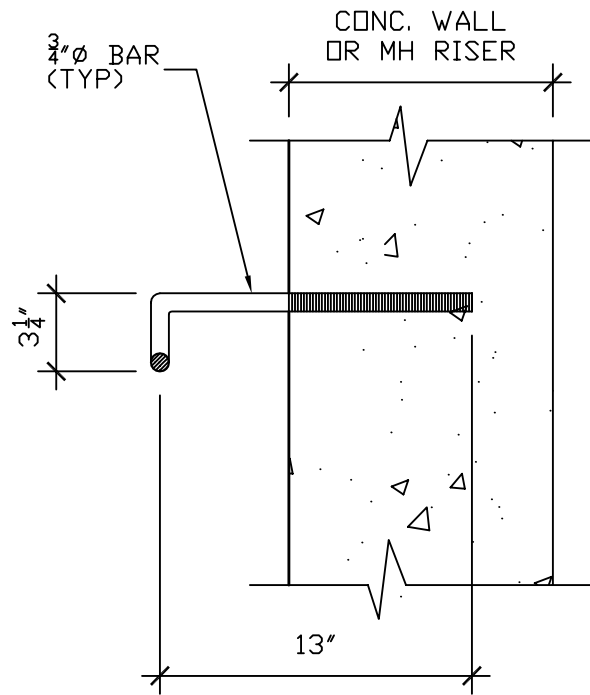
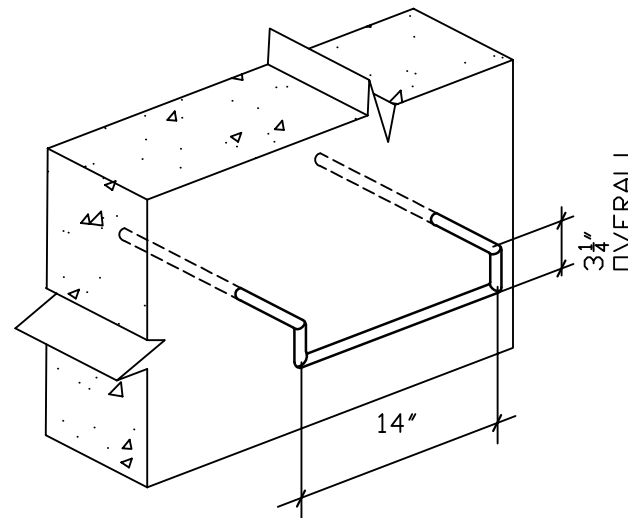


PLAN



SECTION AA



DETAIL

LB 400 SERIES			
CATALOG NUMBER	WIDTH	LEG LENGTH	APPROX. WEIGHT
LB 404T-11	14"	13"	5 LBS
NOTE : TYPE II MANHOLE STEP			

NOTES :

1. ALL MEASUREMENTS ARE IN INCHES.
2. STEPS MAY BE INSTALLED IN A CONCRETE WALL BY DRILLING A 1" OR 1 1/2" MINIMUM DIAMETER HOLE AND DRY PACKING THE STEP IN PLACE WITH CLASS "C" MORTAR OR OTHER HIGH STRENGTH NON-SHRINK GROUT.



**LBIW Inc.**

2020 WEST 14TH STREET  
LONG BEACH, CA. 90813  
Tel No. : (562) 432.5451  
Fax No. : (562) 435.5929

www.lbiw.com

PRODUCT NUMBER

**LB 404T-11**

STAINLESS STEEL  
STEP INSERT FOR  
CONCRETE  
STRUCTURES

SPECIFICATIONS

**MATERIAL** : STAINLESS STEEL  
TYPE 316

**MADE IN USA**

EST. WEIGHT

5 LBS

STANDARD PLAN REFERENCE

\* LACSD S-a-209 ( TYPE II )

DRAWN

EB

DATE

01-09-09

REVISED

12-01-09

DATE

REFERENCE INFORMATION

LBIW CATALOG  
SECTION 07