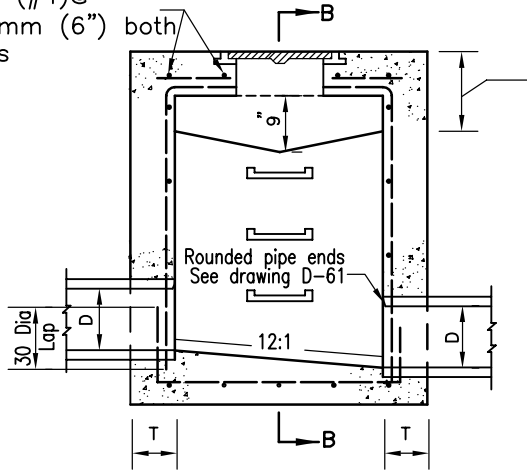


#13 (#4)@
152mm (6") both
ways



SECTION A-A

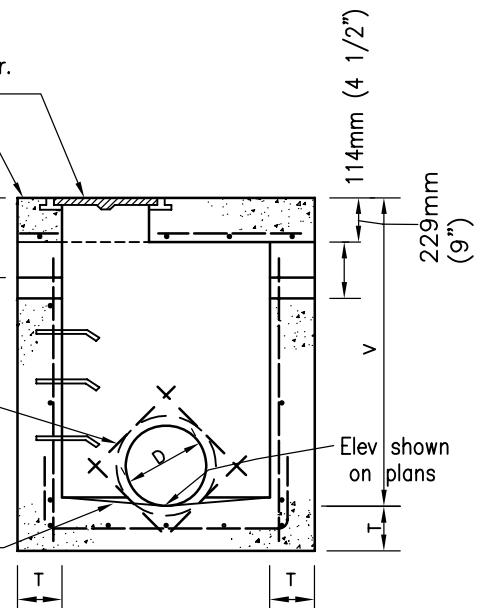
Manhole frame and cover.
See drawing M-2

Elev. shown on plans

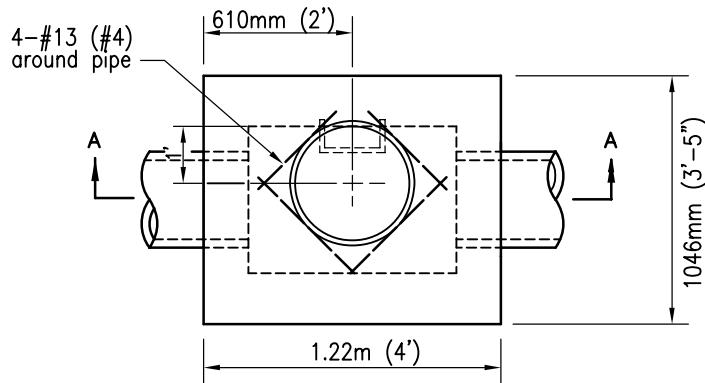
279mm (11")
unless shown
otherwise on
plans

4-#13 (#4)
around pipe

Slope floor 12:1
towards outlet



SECTION B-B



PLAN

NOTE:

1. See Standard Drawing D-11 for additional notes and details.
2. When V exceeds 1.22m (4') steps shall be installed. See Standard Drawing D-11 for details.
3. Exposed edges of concrete shall be rounded with a radius of 13mm (1/2").
4. Construct openings on both sides unless otherwise shown on plans.
5. Maintain 38mm (1-1/2") clear spacing between reinforcing and surface.
6. Install 25mm (1") steel protection bar.

LEGEND ON PLANS



Revision	By	Approved	Date
ORIGINAL		Kercheval	12/75
Add Metric		T. Stanton	03/03
Reformatted		T. Stanton	04/06

SAN DIEGO REGIONAL STANDARD DRAWING

CATCH BASIN - TYPE F

RECOMMENDED BY THE SAN DIEGO
REGIONAL STANDARDS COMMITTEE

T. Stanton 3/11/2003

Chairperson R.C.E. 19246 Date

DRAWING
NUMBER

D-7