



DIST	COUNTY	ROUTE	KILOMETER POST TOTAL PROJECT	SHEET No.	TOTAL SHEETS
04	Ala	238, 580, 880	R23.276.8.48.5/R49.6.73.8/32.8	999	1157

*Satinder Singh 5/2/05*  
REGISTERED CIVIL ENGINEER

12-19-05  
PLANS APPROVAL DATE

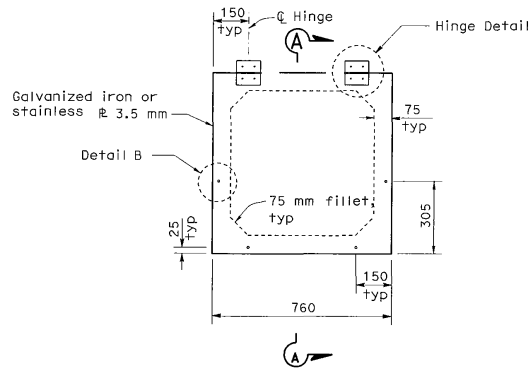
The State of California or its officers or agents shall not be responsible for the accuracy or completeness of electronic copies of this plan sheet.

REGISTERED PROFESSIONAL ENGINEER  
Satinder Singh  
No. 56929  
Exp. 6/30/05  
CIVIL  
STATE OF CALIFORNIA

Alameda County Transportation Improvement Authority  
426 17th Street, Suite 100  
Oakland, CA 94612

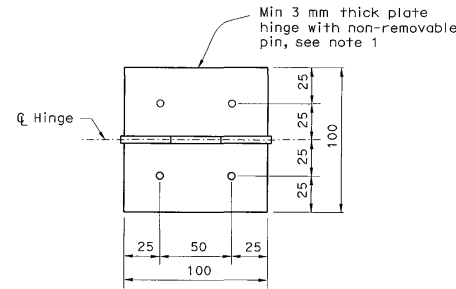
SPS Engineers  
436-14th Street, Suite 1209  
Oakland, CA 94612

To get to the web site, go to: <http://www.dot.ca.gov>



Note: Soffit access door opening direction to be determined by the Engineer.

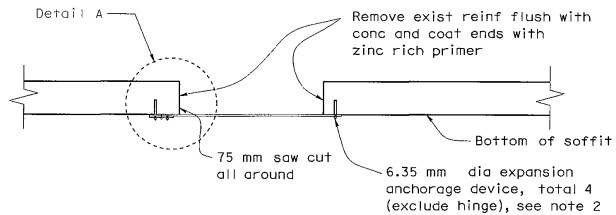
**SOFFIT ACCESS OPENING - PLAN**  
1:10



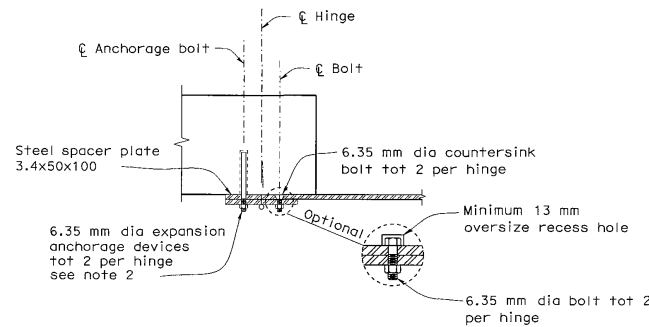
**HINGE DETAIL**  
No scale

**NOTES:**

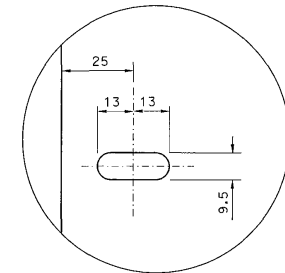
1. Hinge assembly shall be fabricated from sheet metal galvanized after fabrication or stainless steel or brass.
2. Use thread locking system for all hinge nuts.



**SECTION A-A**  
1:10



**DETAIL A**  
No scale



**DETAIL B**  
No scale

NOTE:  
THE CONTRACTOR SHALL VERIFY ALL CONTROLLING FIELD DIMENSIONS BEFORE ORDERING OR FABRICATING ANY MATERIAL.

ALL DIMENSIONS ARE IN MILLIMETERS UNLESS OTHERWISE SHOWN

DESIGN OVERSIGHT  
*[Signature]*  
6-1-05  
SIGN OFF DATE  
Rev. Date: 5-18-98

DESIGN	BY S. Singh	CHECKED F. Wang
DETAILS	BY S. Lee	CHECKED S. Singh
QUANTITIES	BY S. Singh	CHECKED F. Wang

PREPARED FOR THE  
**STATE OF CALIFORNIA**  
DEPARTMENT OF TRANSPORTATION

N. Seyedmadani  
PROJECT ENGINEER

BRIDGE NO.	33-0212R
KILOMETER POST	24.0

**ROUTE 238/185 SEPARATION (WIDEN)  
ABUTMENT RETROFIT DETAILS NO.2**



CU 04257  
EA 249041

DISREGARD PRINTS BEARING EARLIER REVISION DATES

REVISION DATES (PRELIMINARY STAGE ONLY)	SHEET	OF
13	13	34

FILE => jdad110d01.dgn