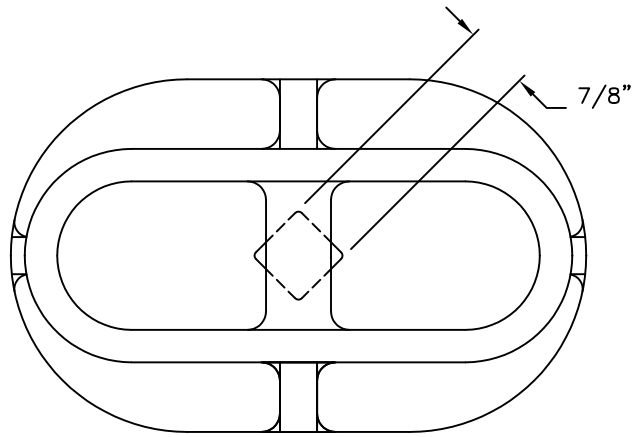
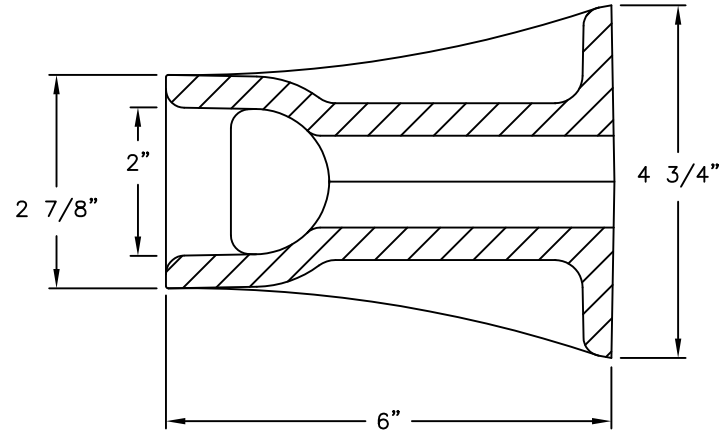


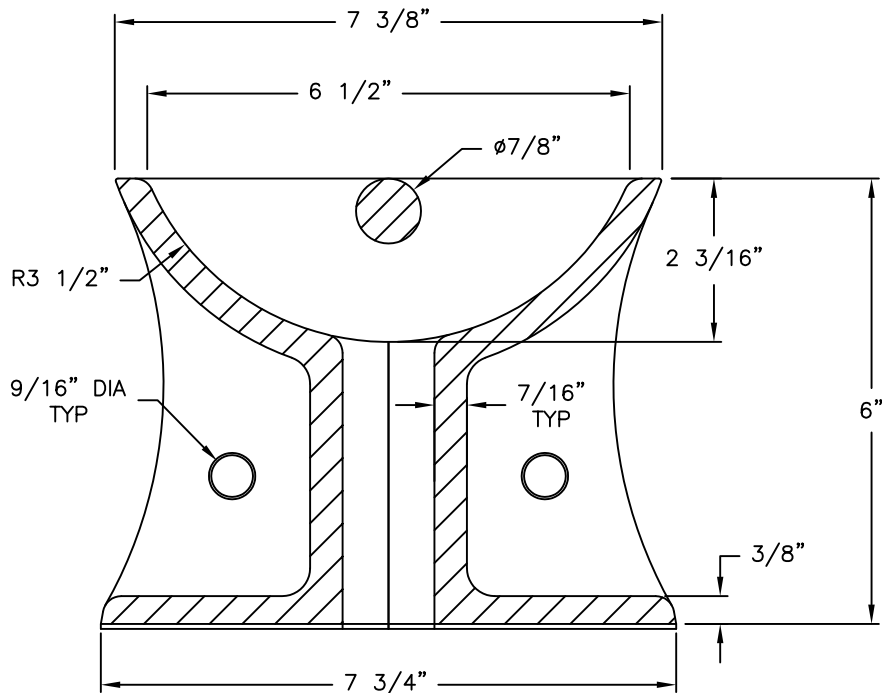
6" MOORING EYE



PLAN VIEW



SECTION



SECTION

Product Number

00599600

Design Features

- Materials
Ductile Iron (70-50-05)
- Design Load
9000 LBS
- Open Area
n/a
- Coating
Undipped
- √ Designates Machined Surface

Certification

- ASTM A536
-
-
- Country of Origin: USA

Drawing Revision

8/29/2005 Designer: SMH
1/31/2012 Revised By: DAL

Disclaimer

Weights (lbs./kg) dimensions (inches/mm) and drawings provided for your guidance. We reserve the right to modify specifications without prior notice.

CONFIDENTIAL: This drawing is the property of EJ GROUP, Inc., and embodies confidential information, registered marks, patents, trade secret information, and/or know how that is the property of EJ GROUP, Inc. Copyright © 2011 EJ GROUP, Inc. All rights reserved.

Contact

800 626 4653
ejco.com