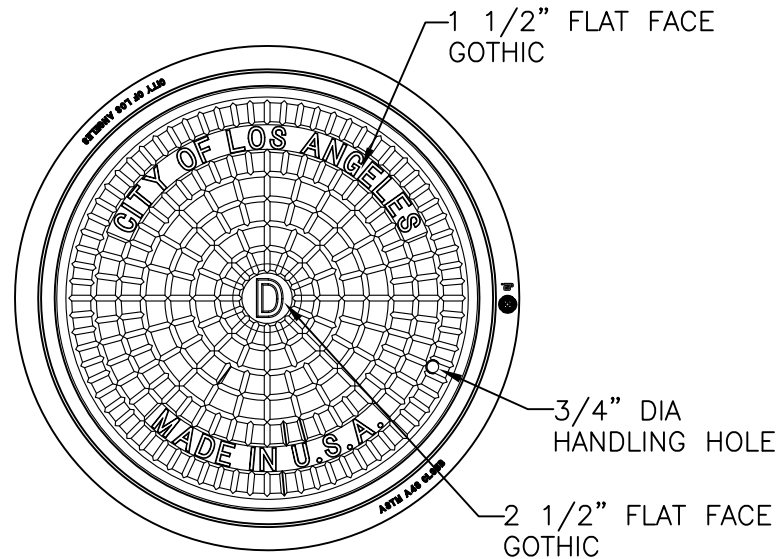
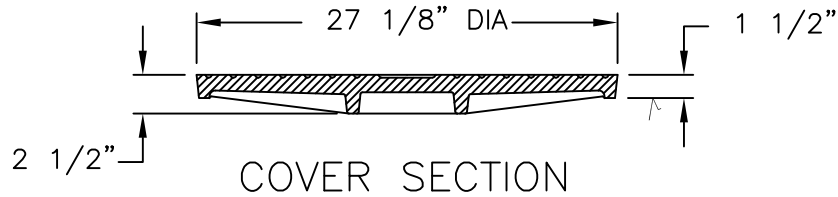


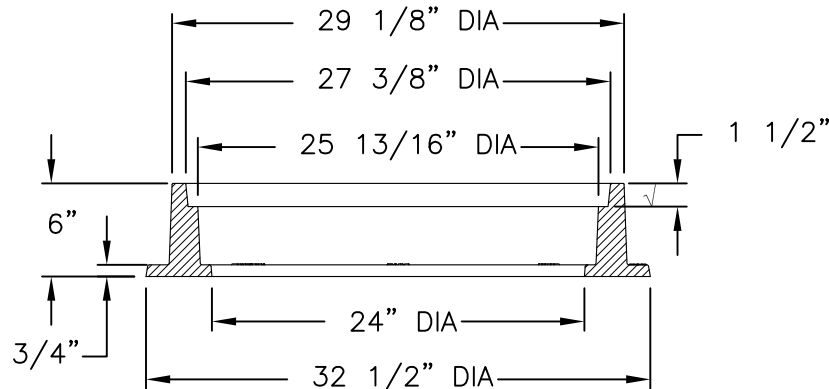
# 3162Z 3162C Assembly



PLAN VIEW



COVER SECTION



FRAME SECTION

## Product Number

00316286A01

## Design Features

-Materials

Frame

Gray Iron (CL35B)

Cover

Gray Iron (CL35B)

-Design Load

Heavy Duty

-Open Area

n/a

-Coating

Dipped

-√ Designates Machined Surface

## Certification

- ASTM A48

- H20

-

-Country of Origin: USA

## Major Components

00316210

00316286

## Drawing Revision

03/31/2014 Designer: DAE

09/21/2017 Revised By: DVD

## Disclaimer

Weights (lbs./kg) dimensions (inches/mm) and drawings provided for your guidance. We reserve the right to modify specifications without prior notice.

CONFIDENTIAL: This drawing is the property of EJ GROUP, Inc., and embodies confidential information, registered marks, patents, trade secret information, and/or know how that is the property of EJ GROUP, Inc. Copyright © 2012 EJ GROUP, Inc. All rights reserved.

## Contact

800 626 4653

ejco.com