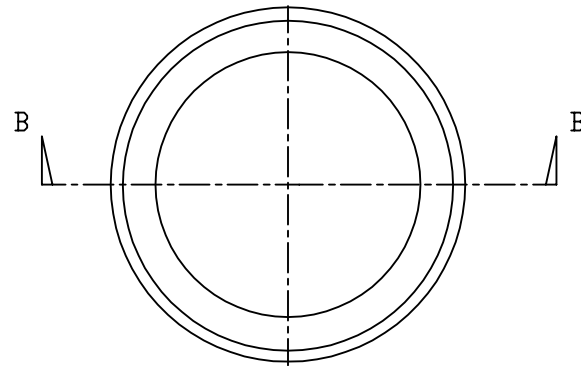
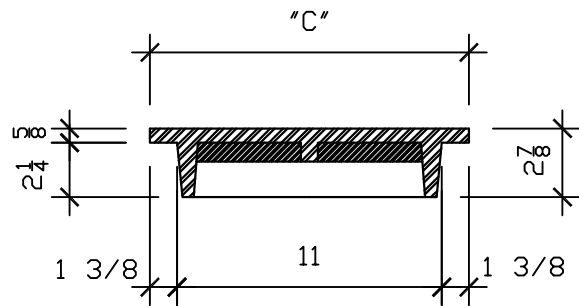


PLAN

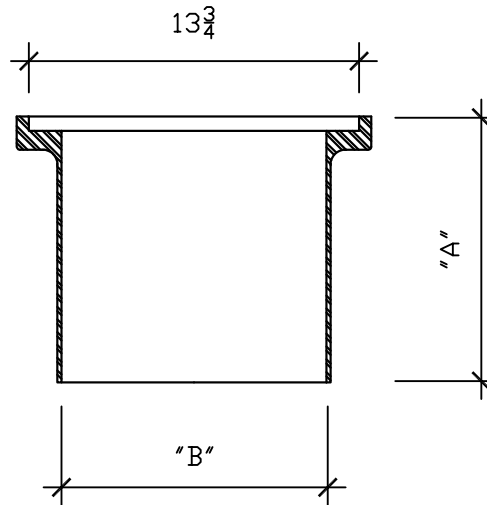


PLAN



SECTION A-A

ACCESS COVER



SECTION B-B

ACCESS FRAME

ACCESS COVER AND FRAME ASSEMBLY

CATALOG NUMBER	OVERALL HEIGHT "A"	CLEAR OPENING "B"	O.D. OF COVER "C"	APPROX. WEIGHT
LB 525	11"	11"	13 3/4"	105 lbs



LBIW Inc.

2020 WEST 14TH STREET
LONG BEACH, CA. 90813
Tel No. : (562) 432.5451
Fax No. : (562) 432.5929

www.lbiw.com

PRODUCT NUMBER

LB 525/X-525

LOAD RATING

TRAFFIC RATED

COATING

ASPHALTUM (BLACK)

EST. WEIGHT

105 LBS

WEIGHTS MAY VARY
MINUS 5 %, PLUS 10 %

SPECIFICATION

CITY OF LONG BEACH
WATER DEPARTMENT
STANDARD PLAN DRAWING
202 -TYPE C

OPEN AREA

DESIGNATES MACHINED

DRAWN

EB

DATE

01-12-09

REVISED

02-18-09

DATE

REFERENCE INFORMATION

SECTION 03