

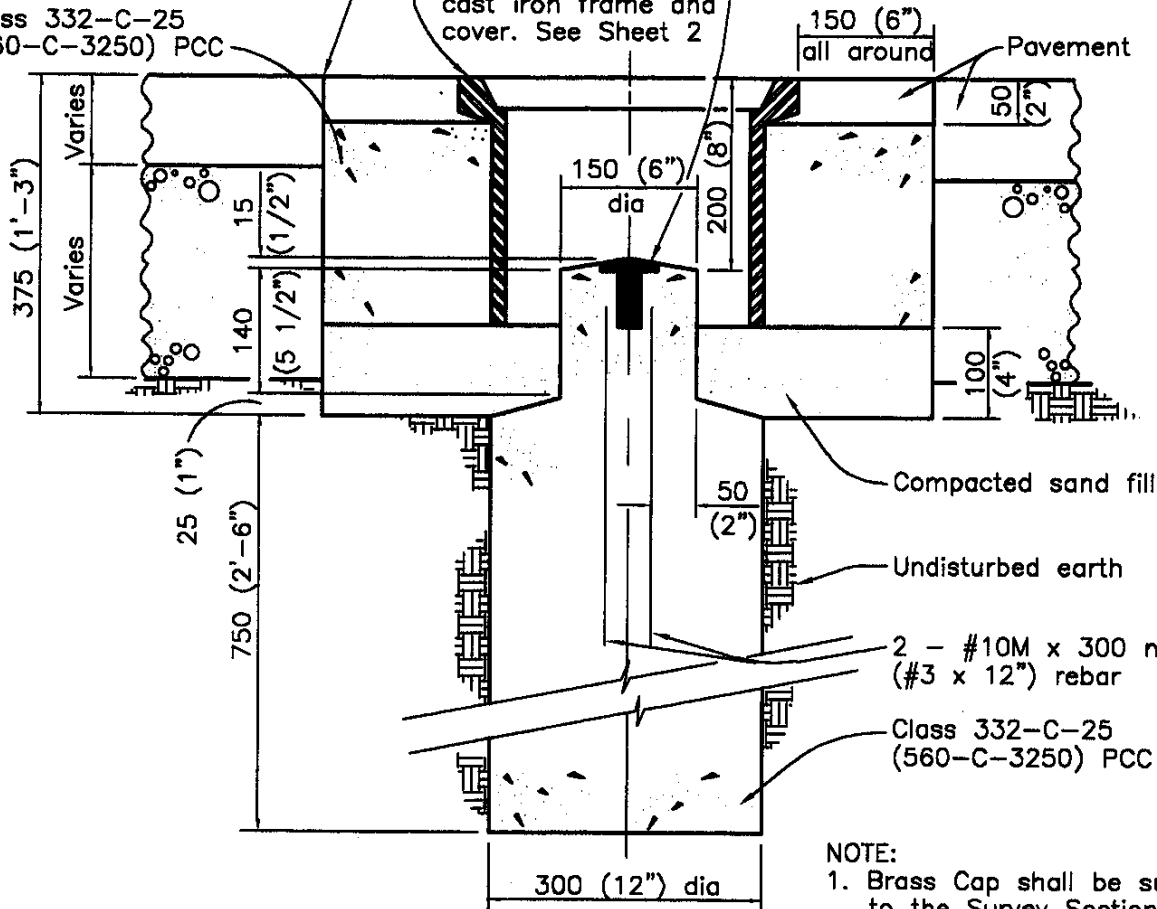
PLAN

Pavement shall be cut to neat lines and concrete placed against undisturbed CMB or earth

Brass cap shall be furnished and installed by the Contractor. Brass cap shall be SERVCO part #2135, 64 mm (2 1/2") dia, 19 x 64 mm (3/4" x 2 1/2") shank-crowned top or approved equal. Center within 5 mm (1/4").

Class 332-C-25 (560-C-3250) PCC

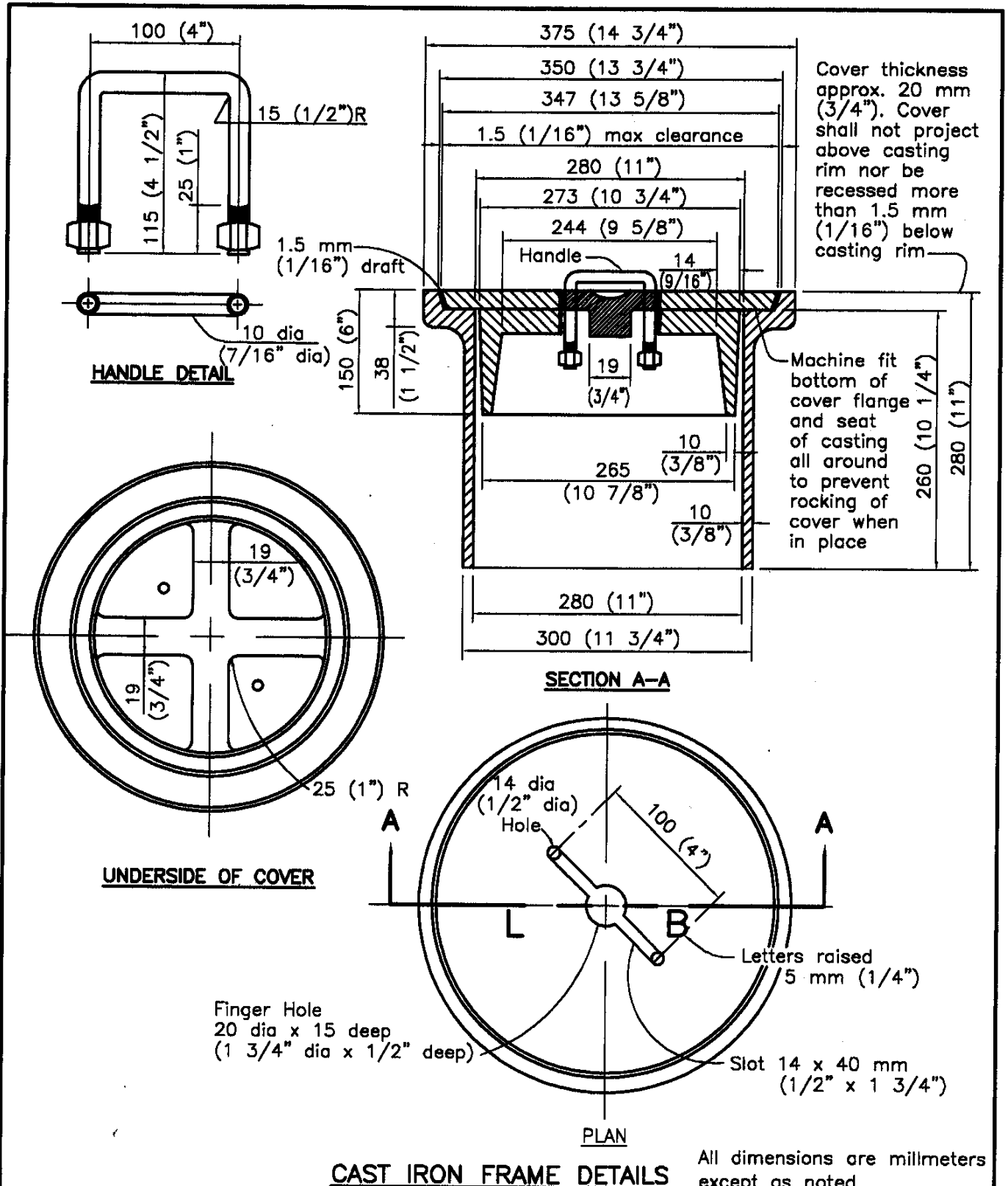
280 mm (11") cast iron frame and cover. See Sheet 2



SECTION A-A

- NOTE:
1. Brass Cap shall be submitted to the Survey Section for stamping prior to setting.
 2. All dimensions are millimeters except as noted.

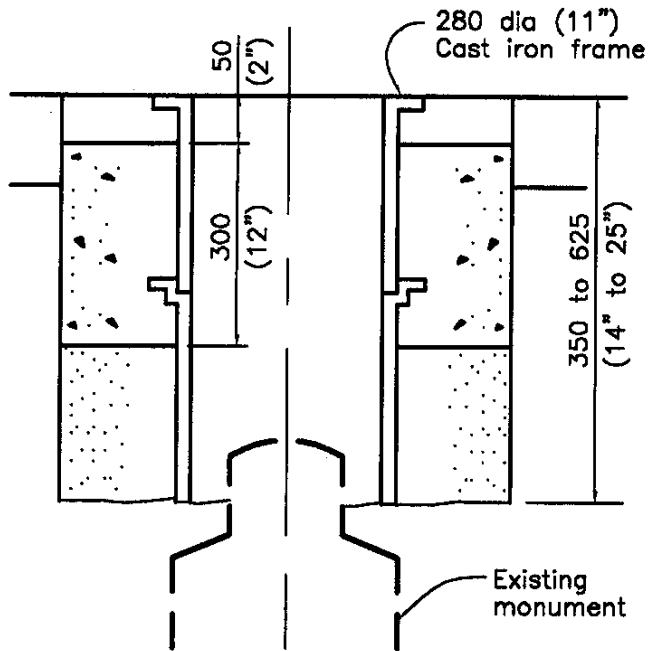
REVISIONS		CITY OF LONG BEACH, CALIFORNIA DEPARTMENT OF PUBLIC WORKS	STANDARD PLAN NO.
NO.	DATE		METRIC 202
1	6/17/94	TYPE C ϕ INTERSECTION MONUMENT	SHEET
2	11/17/95		1 OF 3
3	12/23/02		APPROVED BY: <i>Mal Chiffel</i> DATE: 1/10/03
4			CITY ENGINEER R.E. No. 40599 EX. DATE 03/31/03



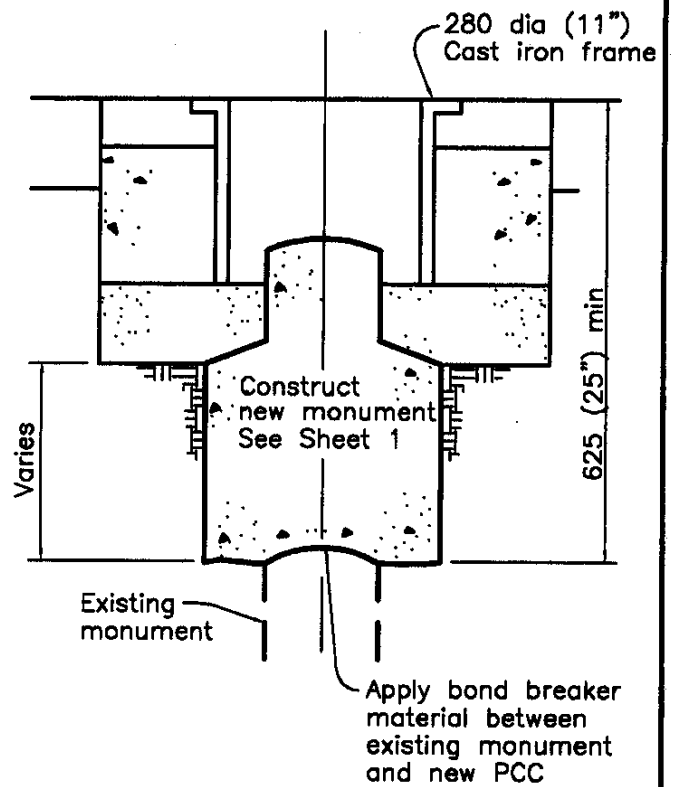
CAST IRON FRAME DETAILS

All dimensions are millimeters except as noted.

REVISIONS NO. DATE		CITY OF LONG BEACH, CALIFORNIA DEPARTMENT OF PUBLIC WORKS	STANDARD PLAN NO.
1 11/17/95 2 12/23/02 3 4	TYPE C \oslash INTERSECTION MONUMENT		METRIC 202
APPROVED BY: <i>Max Puntilla</i> CITY ENGINEER R.E. No. 40589		DATE: 1/10/03 EX. DATE 03/31/03	SHEET 2 OF 3



CASE 1



CASE 2

MODIFIED TYPE C ϕ INTERSECTION MONUMENT

NOTE:

1. See Sheet 1 for additional Notes and Details.
2. All dimensions are millimeters except as noted.

REVISIONS		CITY OF LONG BEACH, CALIFORNIA DEPARTMENT OF PUBLIC WORKS	STANDARD PLAN NO.
NO.	DATE		
1	11/17/95	TYPE C ϕ INTERSECTION MONUMENT	METRIC 202
2	12/23/02		
3		APPROVED BY: <i>Mark Smith</i> CITY ENGINEER R.E. No. 40599	SHEET
4			DATE: 1/10/03 EX. DATE: 03/31/03