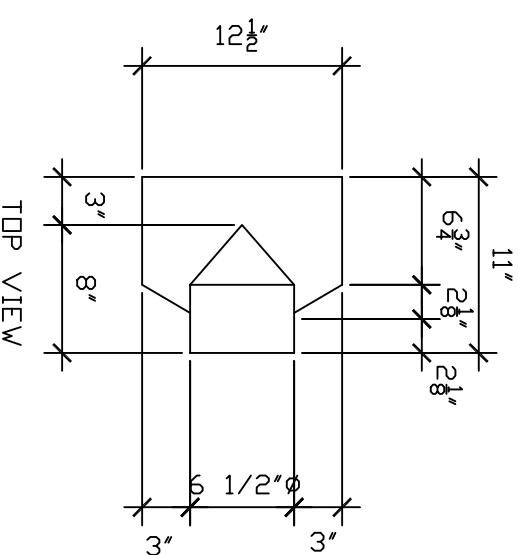
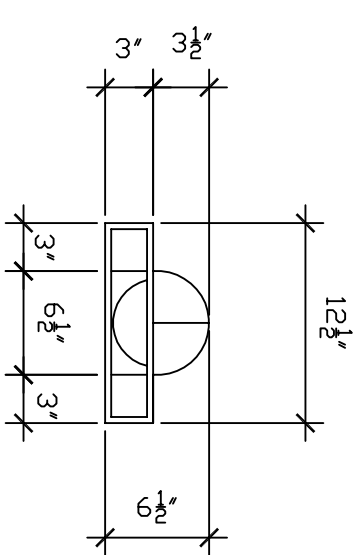


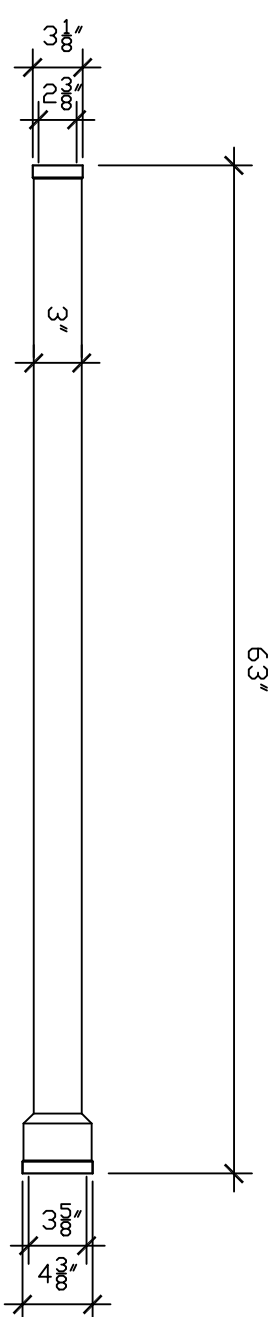
TOP VIEW



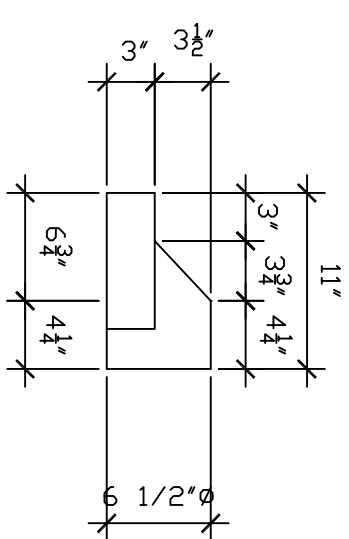
TOP VIEW



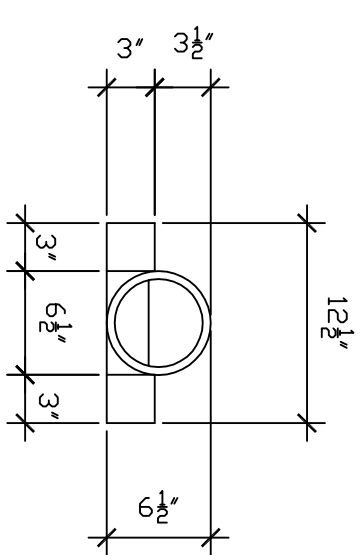
FRONT VIEW



SIDE VIEW



SIDE VIEW

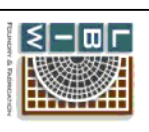


BACK VIEW

RECTANGULAR CAST IRON PIPE - LB 470D
WEIGHT : 200 LBS.

CAST IRON ADAPTOR - ROUND TO RECTANGULAR PIPE - LB 480
FOR 6"Ø PIPE
WEIGHT : 35 LBS.

- NOTES :
- * MEASUREMENTS ARE APPROXIMATE.
 - * FINISH - UNPAINTED, NOT COATED.
 - * WEIGHT - AS SHOWN



LBIW, Inc.
2020 West 14th Street
Long Beach, CA 90813

PHONE: (562) 432-5451
FAX: (562) 528-0254
E-MAIL: lbilw@lbilw.com

CUSTOMER P.O.			
CONTRACTOR:			
JOB :			
SCOPE ITEM:	RECTANGULAR CAST IRON PIPE AND ADAPTOR		
DRAWN BY	DATE	LBIW ORDER NO.	SHEET NO.
EB	08/27/08	00000	2
CHECKED BY	SCALE		