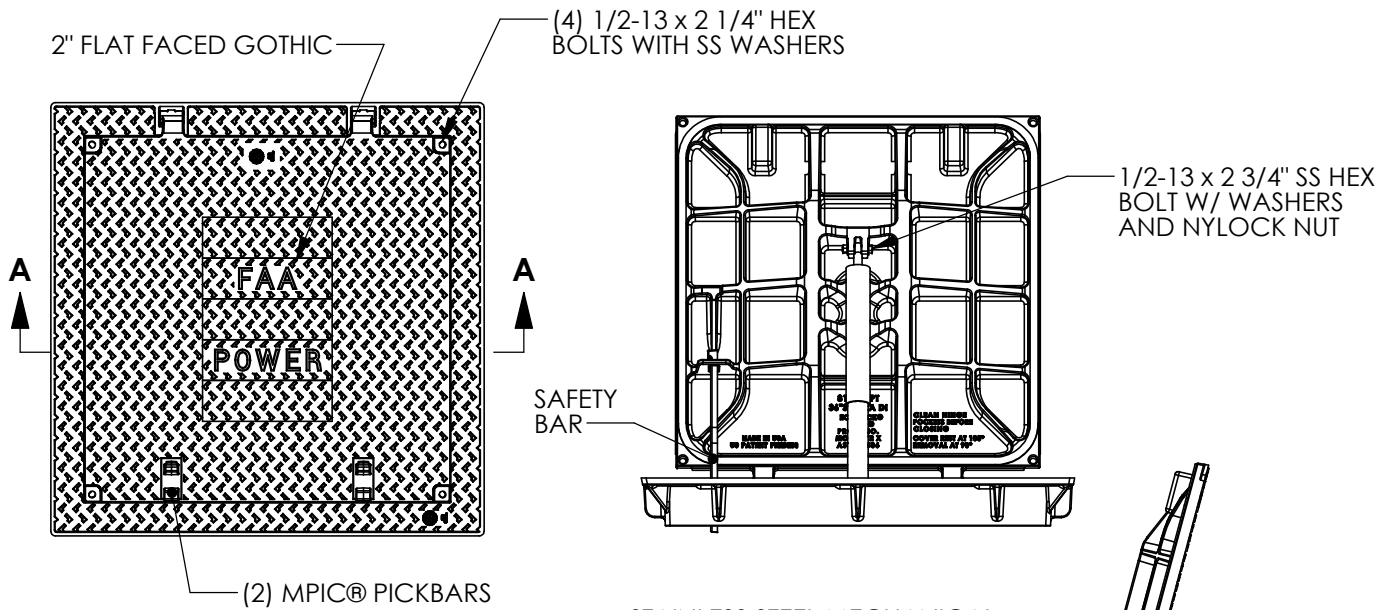


# 8197 Assembly



**Product Number**  
00819776B01

**Design Features**

- Materials
  - Hatch Frame  
Ductile Iron (70-50-05)
  - Cover  
Ductile Iron (80-55-06)
- Design Load  
Airport Extra Heavy Duty  
(Proof Load Tested to 200,000lbs.)
- Open Area  
n/a
- Coating  
Dipped
- √ Designates Machined Surface
- Slip Resistant Surface with the LLLL® registered trademark

**Certification**

- ASTM A536
- 
- Country of Origin: USA

**Major Components**

00819712  
00819776

**Drawing Revision**

3/6/2012 Designer: SDC  
Revised By:

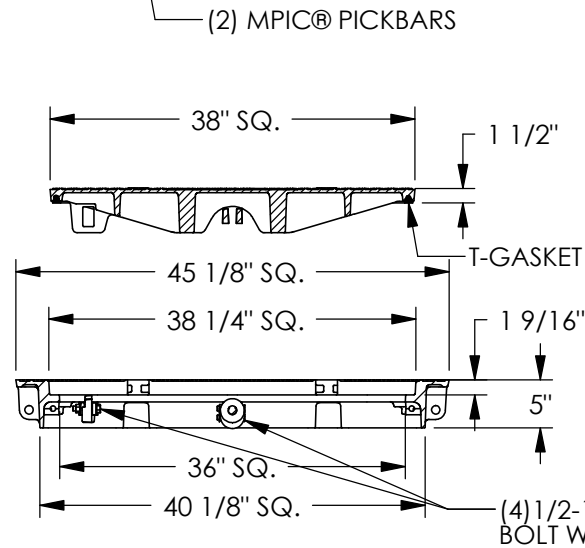
**Disclaimer**

Weights (lbs/kg), dimensions (inches/mm) and drawings provided for your guidance. We reserve the right to modify specifications without prior notice.

CONFIDENTIAL: This drawing is the property of EJ Group, Inc. and embodies confidential information, registered marks, patents, trade secret information, and/or know-how that is the property of EJ Group, Inc. Copyright © 2011 EJ Group, Inc. All rights reserved.

**Contact**

800.626.4653  
ejco.com



**SECTION A-A**

