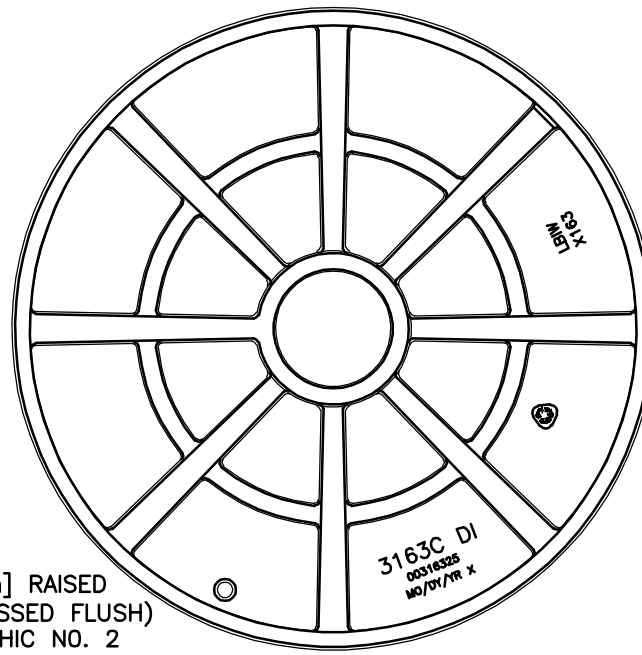
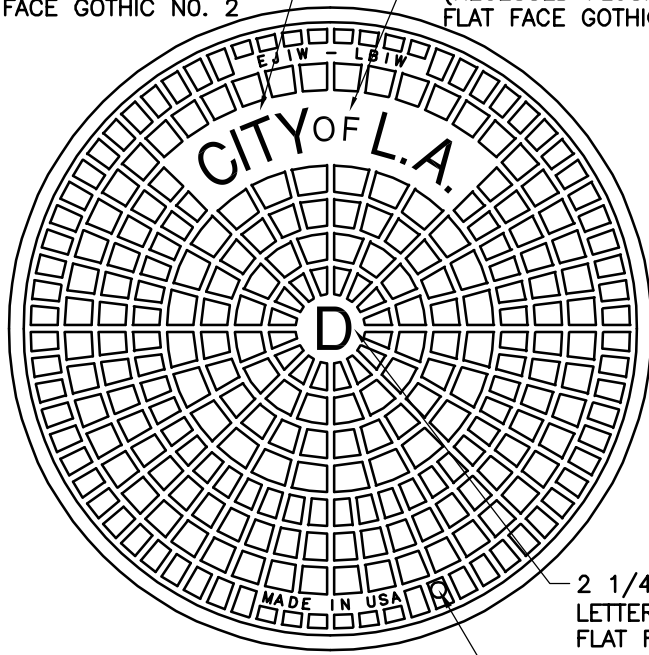
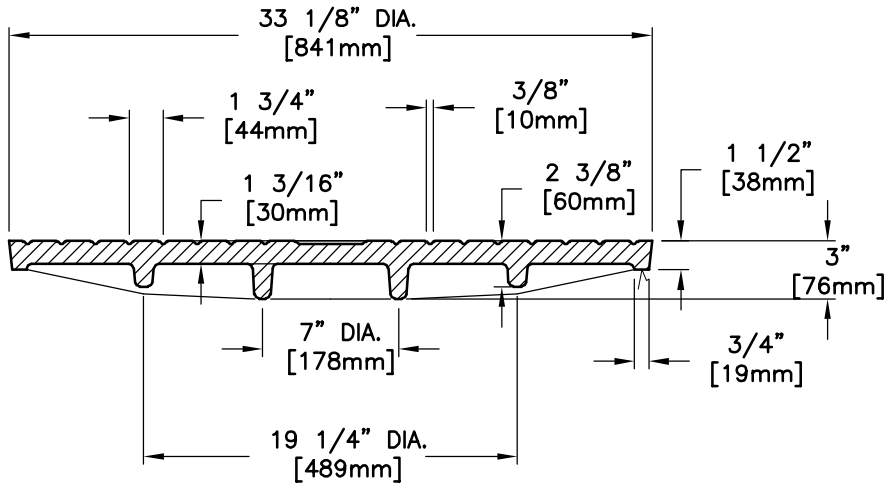


2 1/4" [57mm] RAISED  
LETTERS (RECESSED FLUSH)  
FLAT FACE GOTHIC NO. 2

1 3/8" [35mm] RAISED LETTERS  
(RECESSED FLUSH)  
FLAT FACE GOTHIC NO. 2



2 1/4" [57mm] RAISED  
LETTERS (RECESSED FLUSH)  
FLAT FACE GOTHIC NO. 2  
13/16" [21mm] DIA  
HANDLING HOLE



Reference:

City of Los Angeles Standard Plan  
Drawing S-284-2, Pressure Manhole Frame and Cover  
Drawing S-283-2, Manhole Frame and Cover 30 Inch

√ MACHINED SURFACE

EAST JORDAN  
IRON WORKS, INC.  
P.O. BOX 439  
EAST JORDAN, MI. 49727  
1-800-874-4100  
FAX 231-536-4458

DRAWN DEW	DATE 12/15/05
APPROVED	DATE

**MANHOLE  
COVER**  
(LBIW X1502 / X163)

PRODUCT NO.  
**00316325**

CATALOG NO.  
3163C DI

REF. PRODUCT DRAWING  
00316320

EST. WT.  
COVER: 320 LBS 145kg

OPEN AREA  
N/A

MAT'L SPEC.  
COVER - DUCTILE IRON  
ASTM A536

LOAD RATING  
**HEAVY DUTY**