

**EAST JORDAN
IRON WORKS, INC.**
P.O. BOX 439
EAST JORDAN, MI. 49727
1-800-874-4100
FAX 231-536-4458

DRAWN SBB	DATE 09/30/03
--------------	------------------

APPROVED	DATE
----------	------

2223A COVER

PRODUCT NO.

00222321

CATALOG NO.

2223A

REF. PRODUCT DRAWING

NA

EST. WT.

COVER: 90LBS 41kg

OPEN AREA

N/A

MAT'L SPEC.

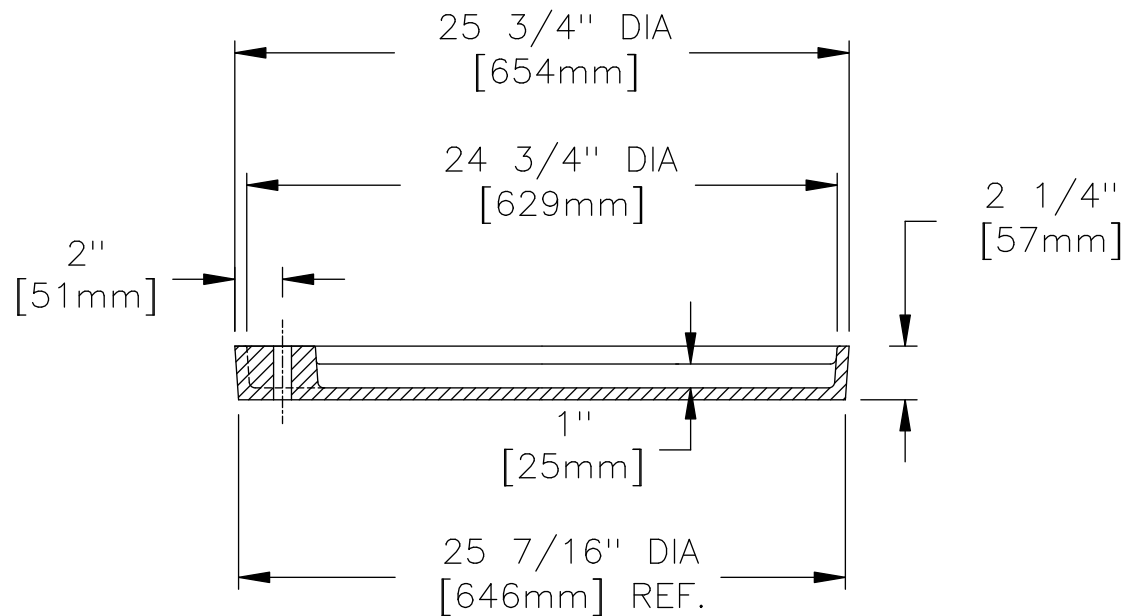
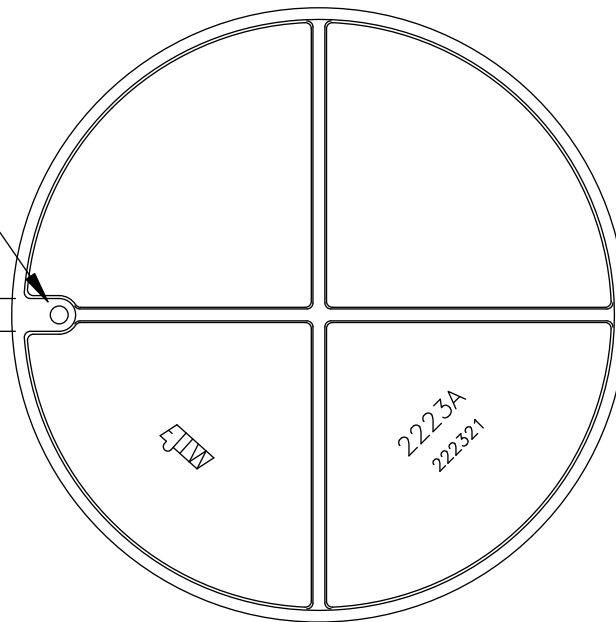
COVER - GRAY IRON
ASTM A48 CL35

LOAD RATING

NON-TRAFFIC

(1) 3/4" (19mm) DIA
LIFTING HOLE (CORED)

1 3/8"
[35mm]



SECTION