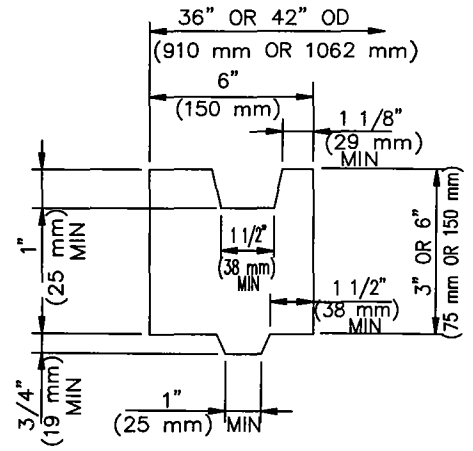
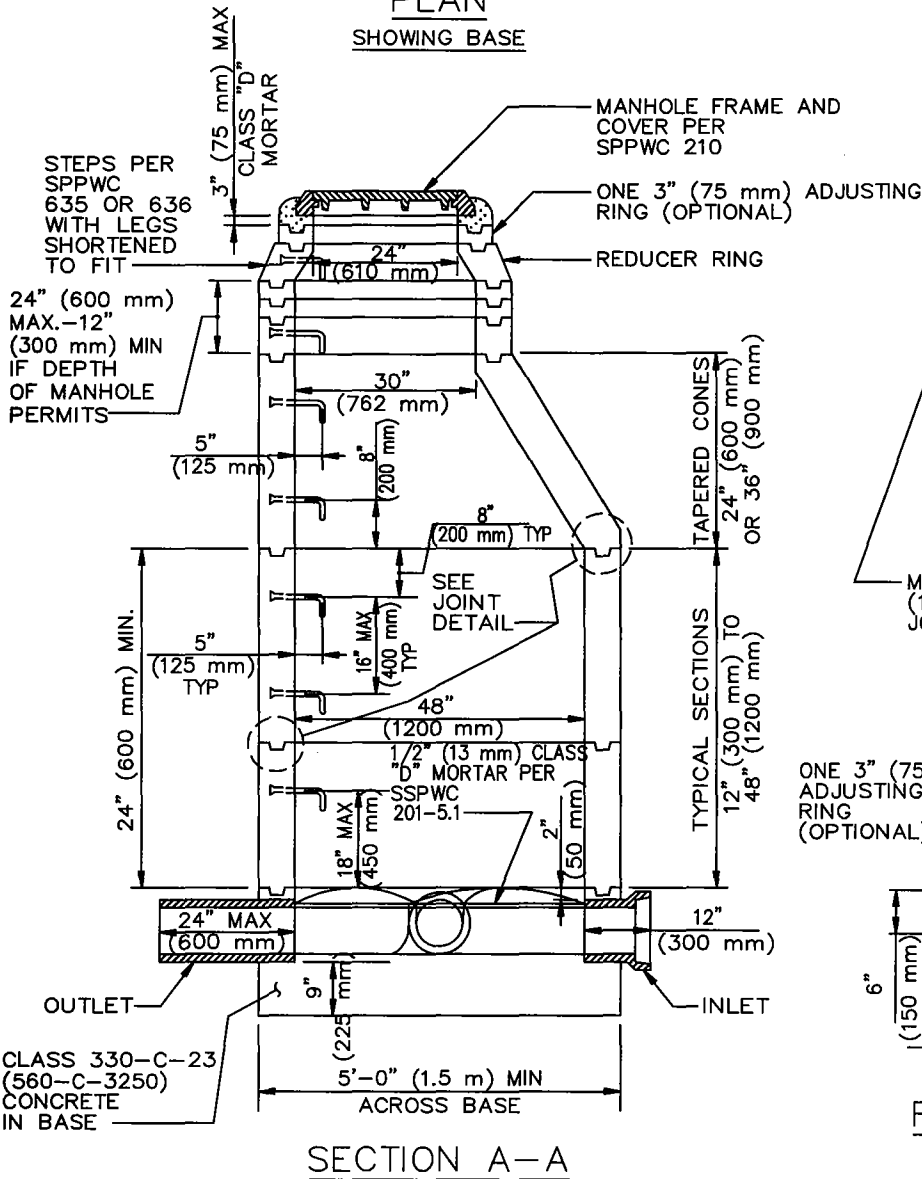


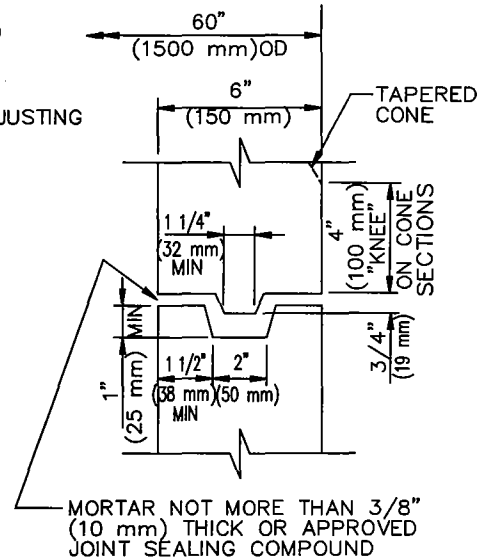
PLAN
SHOWING BASE



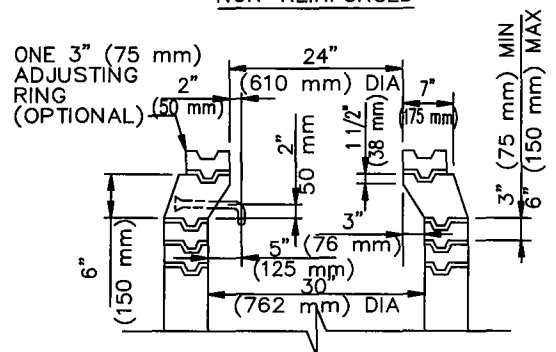
ADJUSTING
RING DETAIL



SECTION A-A



JOINT DETAIL
NON-REINFORCED



REDUCER RING AND
ADJUSTING RINGS

STANDARD PLANS FOR PUBLIC WORKS CONSTRUCTION

PROMULGATED BY THE
PUBLIC WORKS STANDARDS INC.
GREENBOOK COMMITTEE
1984
REV. 1993, 1995, 2009

PRECAST CONCRETE
SEWER MANHOLE

STANDARD PLAN

200-3

USE WITH STANDARD SPECIFICATIONS FOR PUBLIC WORKS CONSTRUCTION

SHEET 1 OF 2