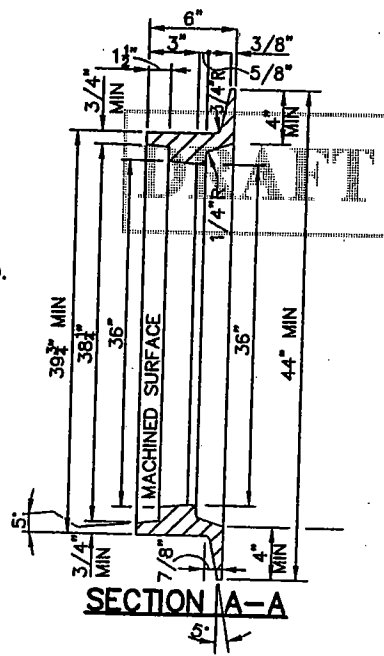


PLAN VIEW

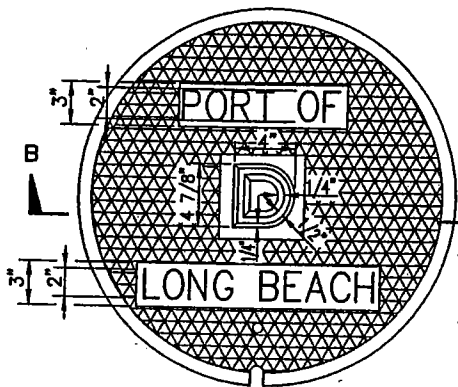


NOTE:  
ALL FILLET RADII 1/8"  
UNLESS OTHERWISE NOTED.



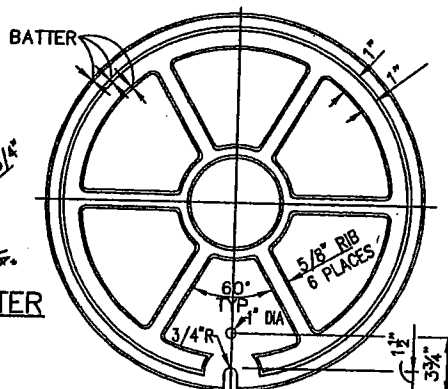
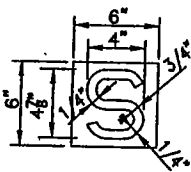
SECTION A-A

**MANHOLE FRAME**

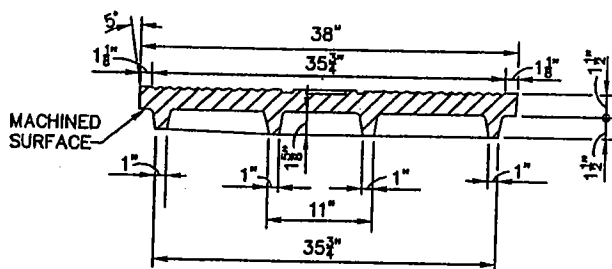


PLAN OF TOP  
FOR STORM DRAIN COVER

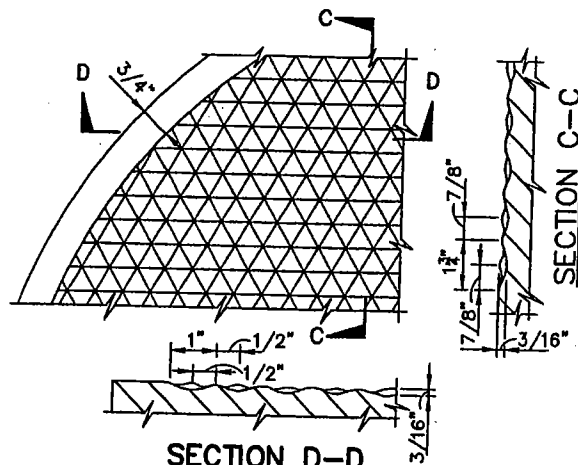
PLAN OF LETTER  
FOR SEWER COVER



PLAN OF BOTTOM



SECTION B-B



SECTION D-D  
DETAIL OF DIAMONDS

**MANHOLE COVER  
36" MANHOLE SHAFT**

**THE PORT OF LONG BEACH ENGINEERING DIVISION**

REVISIONS	
NO.	DATE
1	
2	
3	

MANHOLE FRAME AND COVER

APPROVED BY: \_\_\_\_\_ CHIEF HARBOR ENGINEER

R.E. NO.: \_\_\_\_\_ DATE: \_\_\_\_\_

STANDARD PLAN

D-17

3 OF 4