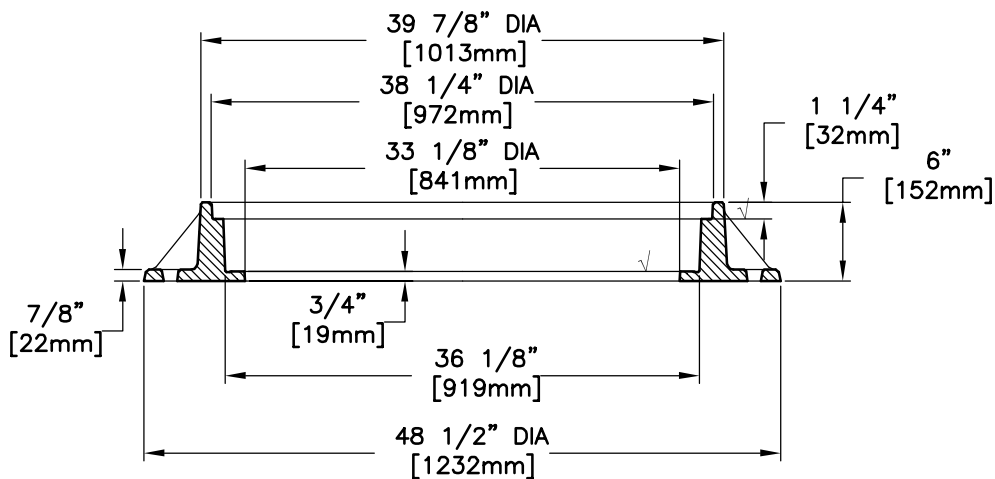


PLAN VIEW



SECTION VIEW

√ MACHINED SURFACE

EAST JORDAN
IRON WORKS, INC.
P.O. BOX 439
EAST JORDAN, MI. 49727
1-800-874-4100
FAX 231-536-4458

DRAWN SBB	DATE 03/16/06
APPROVED	DATE

**MANHOLE
FRAME**
(LBIW X166)

PRODUCT NO.

00316610

CATALOG NO.

3166Z

REF. PRODUCT DRAWING

00316610

EST. WT.

FRAME: 510 LBS 232kg

OPEN AREA

N/A

MAT'L SPEC.

FRAME - GRAY IRON
ASTM A48 CL35E

LOAD RATING

HEAVY DUTY