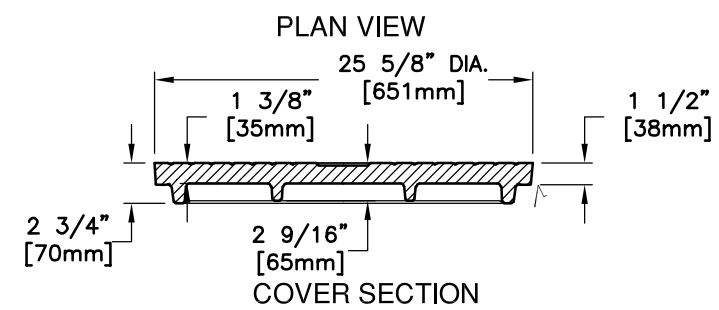
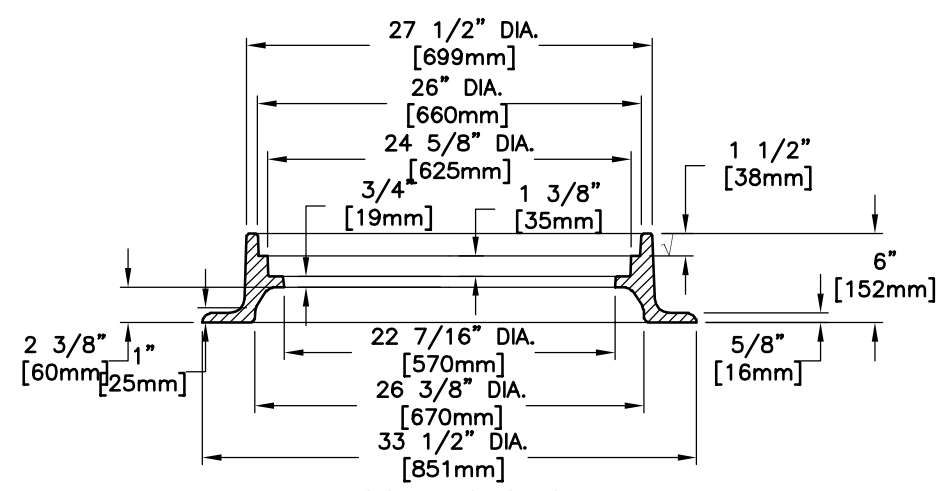


BOTTOM VIEW



COVER SECTION



COVER SECTION

√ MACHINED SURFACE

EAST JORDAN IRON WORKS, INC. P.O. BOX 439 EAST JORDAN, MI. 49727 1-800-874-4100 FAX 231-536-4458	
DRAWN DEW	DATE 04/10/03
APPROVED	DATE
MANHOLE ASSEMBLY (LBIW X115)	
PRODUCT NO. 00311501	
CATALOG NO. 3115C 3115Z	
REF. PRODUCT DRAWING 311522 311510	
EST. WT. FRAME: 205 LBS 93kg COVER: 210 LBS 95kg UNIT: 415 LBS 188kg	
OPEN AREA N/A	
MAT'L SPEC. COVER - GRAY IRON ASTM A48 CL35 FRAME - GRAY IRON ASTM A48 CL35	
LOAD RATING HEAVY DUTY	