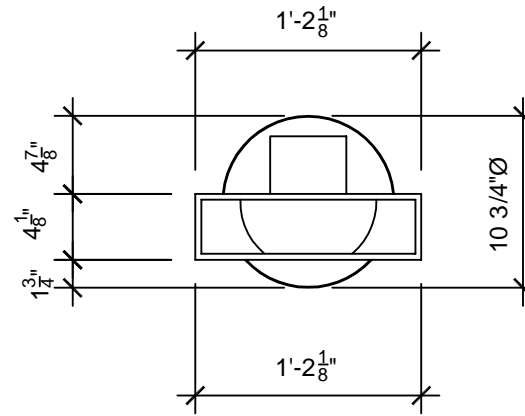
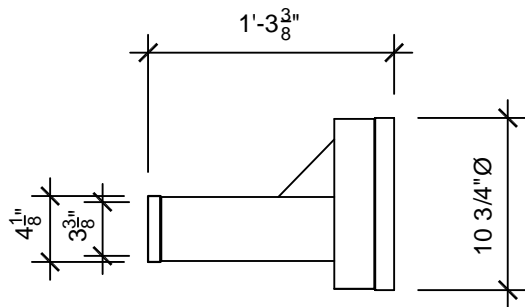


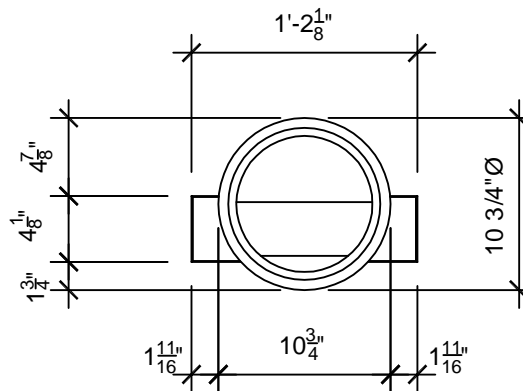
TOP VIEW



FRONT VIEW



SIDE VIEW



BACK VIEW

NOTES:

*REFER TO CATALOG MODEL LB 470D
CAST IRON PIPE



LBIW Inc.

2020 WEST 14TH STREET
LONG BEACH, CA. 90813
Tel No. : (562) 432.5451
Fax No. : (562) 432.5929
www.lbiw.com

PRODUCT NUMBER

**LB 480D
ADAPTOR
4" x 14" x 8"Ø**

* MEASUREMENTS ARE
APPROXIMATE

COATING

NO FINISH

EST. WEIGHT

65 IBS

WEIGHTS MAY VARY
MINUS 5 %, PLUS 10 %

SPECIFICATION

ASTM A48 CL30B

OPEN AREA

DESIGNATES MACHINED

DRAWN

EB

REVISED

DATE

03-30-09

DATE

REFERENCE INFORMATION

SECTION 05