



LBIW Inc.

2020 WEST 14TH STREET
 LONG BEACH, CA. 90813
 Tel No. : (562) 432.5451
 Fax No. : (562) 435.5929
 www.lbiw.com

PRODUCT NUMBER

LB 1252/X-106B

*RADIAL PATTERN

LOAD RATING

TRAFFIC RATED

COATING

ASPHALTUM (BLACK)

EST. WEIGHT

COVER	243 IBS
FRAME	164 IBS
TOTAL WT.	407 LBS.

WEIGHTS MAY VARY
 MINUS 5 %, PLUS 10 %

SPECIFICATION

LACSD S-a-223
 COVER-GRAY IRON
 ASTM A48 CL35B
 FRAME-GRAY IRON
 ASTM A48 CL35B

DESIGNATES MACHINED

DRAWN	DATE
EB	04-13-09
REVISED	DATE
01-12-10	

REFERENCE INFORMATION

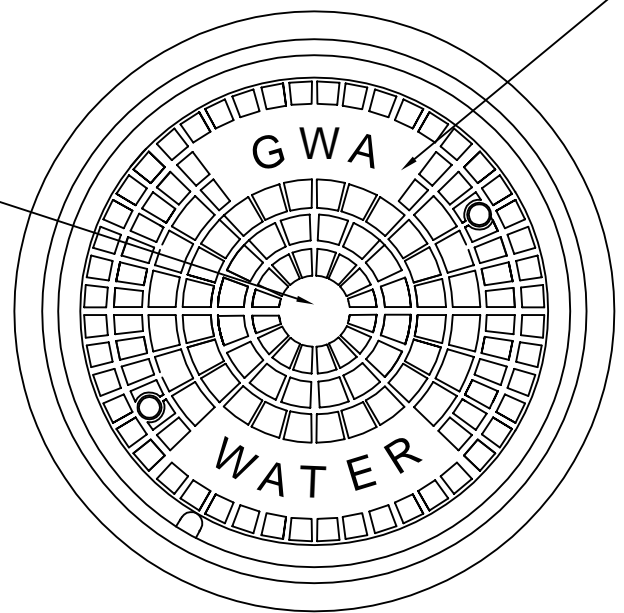
SECTION 02

TAG INSERT OPTIONS

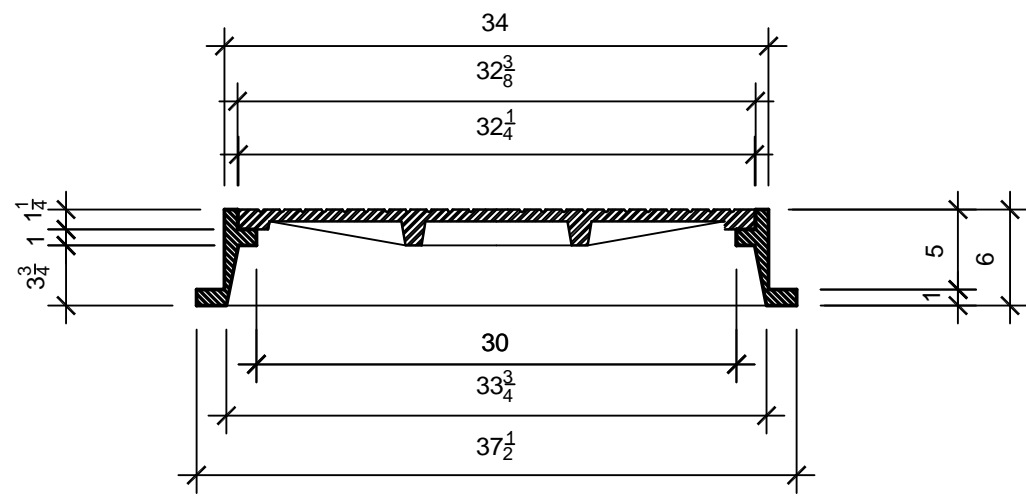
- * SEWER
- * DRAIN
- * STORM DRAIN
- * WATER
- * CSD SEWER
- * SANITARY SEWER
- * GWA
- * DPW
- * SD

MARKING OPTIONS

- * D
- * S
- * W
- * U



PLAN



SECTION

NOTES :

1. ALL MEASUREMENTS ARE IN INCHES.
2. LETTERS MEASURE 2" (RAISED).