

# 2870Z 2870A DI ASSEMBLY

PRODUCT NUMBER

**00287002**

DESIGN FEATURES

**MATERIALS**

COVER-DUCTILE IRON  
ASTM A536

FRAME-GRAY IRON  
ASTM A48 CL35B

**DESIGN LOAD**

EXTRA HEAVY DUTY  
(PROOF LOAD TESTED  
TO 200,000 LBS)

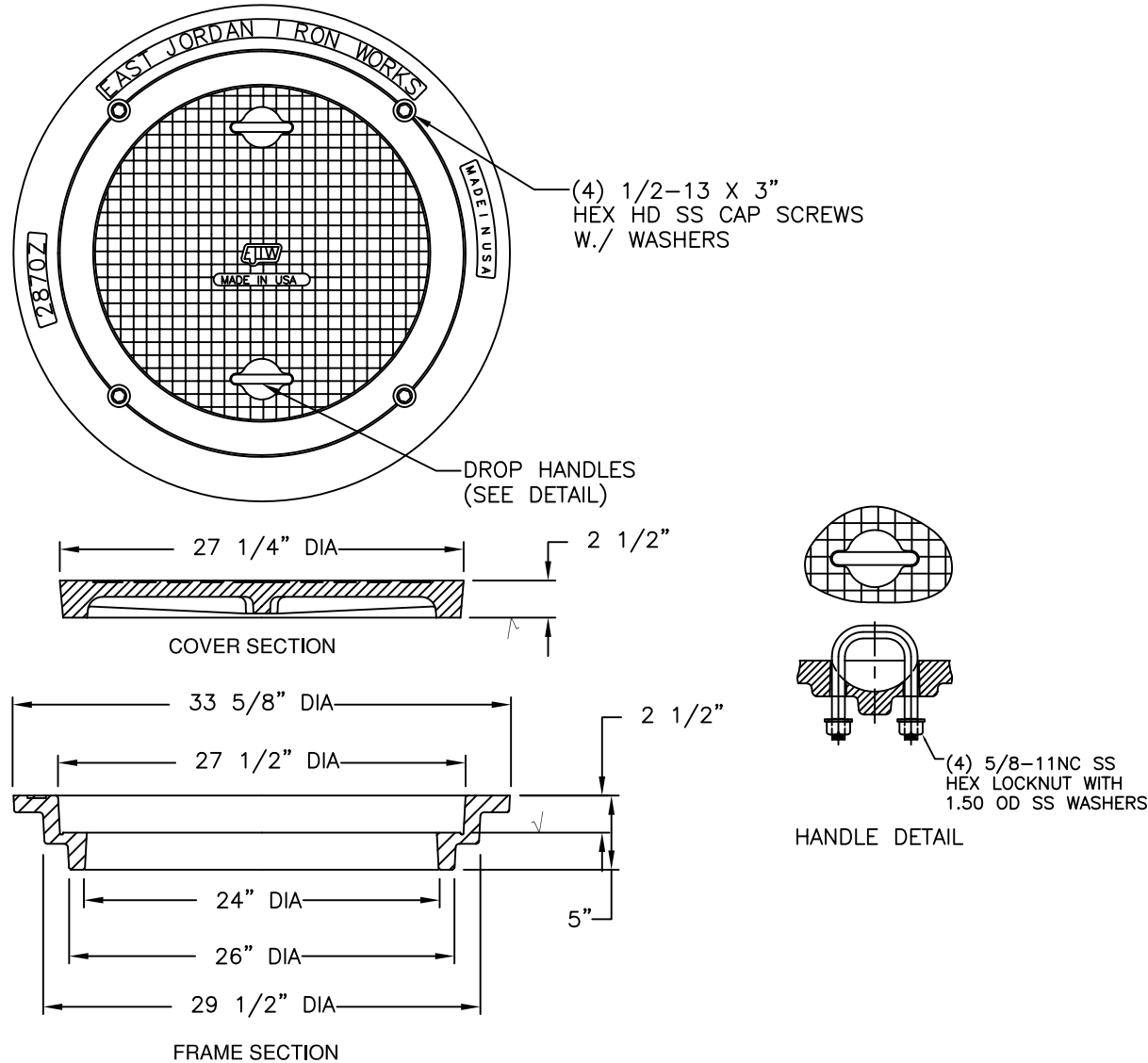
**COATING**

UNDIPPED

**OPEN AREA**

N/A

√ DESIGNATES MACHINED  
SURFACE



Corporate  
Headquarters  
301 Spring Street  
PO Box 439  
East Jordan, MI  
49727-0439  
800.874.4100



Call Today for  
More Information

800.626.4653

**EJIW EAST JORDAN**  
IRON WORKS EST. 1883  
WE COVER YOUR INFRASTRUCTURE

www.ejiw.com  
MADE IN THE USA

- Weights (lbs./kg.), dimensions (inches/mm.), and drawings provided for your guidance.
- We reserve the right to modify specifications without prior notice.
- Uncontrolled distribution.

CONFIDENTIAL: This drawing is the property of East Jordan Iron Works, Inc., and embodies confidential information, registered marks, trade secret information, and/or know how that is the property of East Jordan Iron Works, Inc. ©Copyright 2011 East Jordan Iron Works, Inc.

REFERENCE INFORMATION

00287011  
00287026

DRAWING DETAILS

ORIGINAL DRAWING: SBB 10/02/03

REVISED BY: DEF 09/16/11