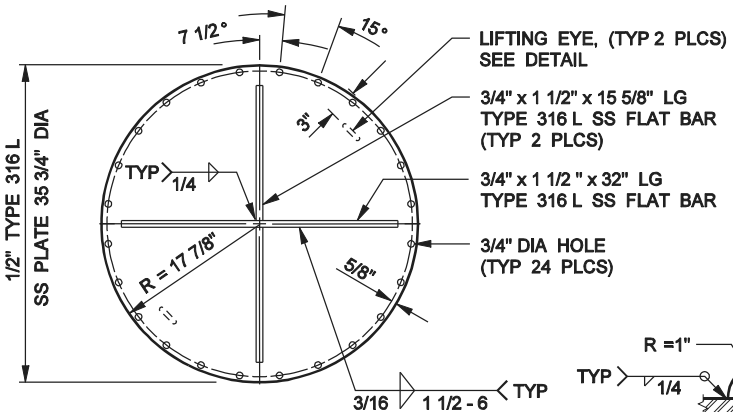
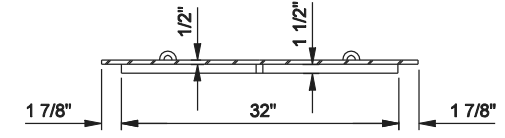
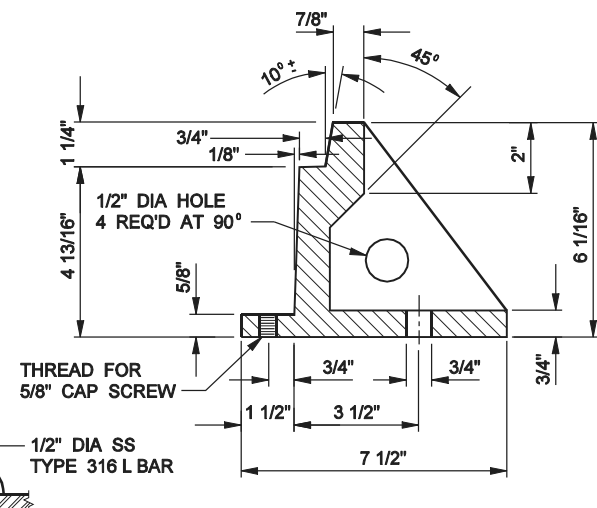


**SECTION
MANHOLE FRAME AND COVER**

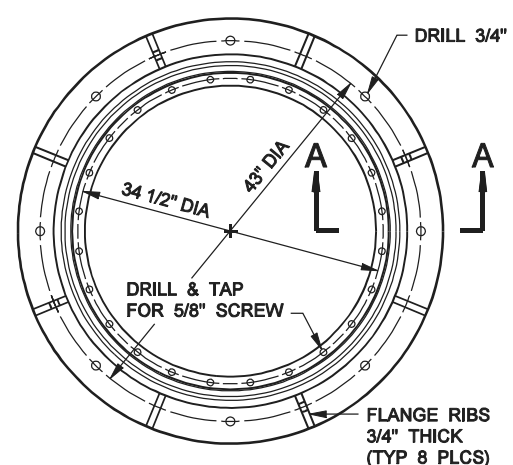


**PRESSURE PLATE
BOTTOM VIEW**

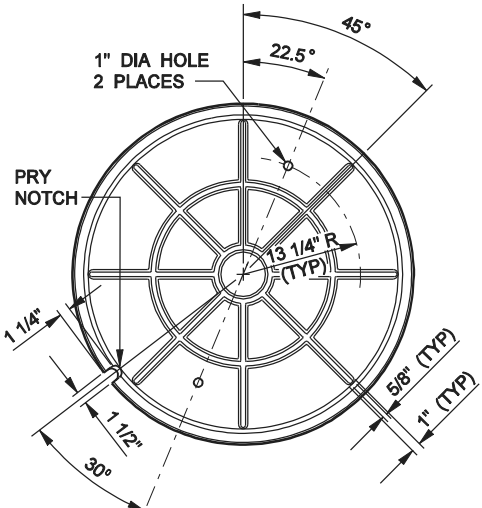


SECTION A-A

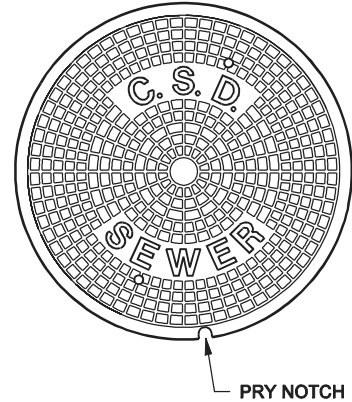
DETAIL- LIFTING EYE



PLAN OF FRAME



**PLAN OF COVER
BOTTOM VIEW**



**PLAN OF COVER
TOP VIEW**

NOTE:
FOR NOTES SEE S-a-207.

COUNTY SANITATION DISTRICTS OF LOS ANGELES COUNTY
OFFICE OF CHIEF ENGINEER

STEPHEN R. MAGUIN
CHIEF ENGINEER

**STANDARD 36" PRESSURE MANHOLE
FRAME AND COVER**

STANDARD DRAWING
2006 EDITION
S - a - 2 2 9
SHEET 1 OF 1