

PRODUCT NUMBER

00288018

CATALOG NUMBER

**2880A DI
2880Z**

**MANHOLE
ASSEMBLY**

LOAD RATING
EXTRA HEAVY DUTY
(PROOF LOAD TESTED
TO 200,000 LBS.)

COATING
DIPPED

ESTIMATED WEIGHT
COVER: 290 LBS 131kg
GRATE: 296 LBS 134kg
UNIT: 586 LBS 266kg

MATERIAL SPECIFICATION
COVER - GRAY IRON
ASTM A48 CL35B

FRAME - GRAY IRON
ASTM A48 CL35B

OPEN AREA
N/A

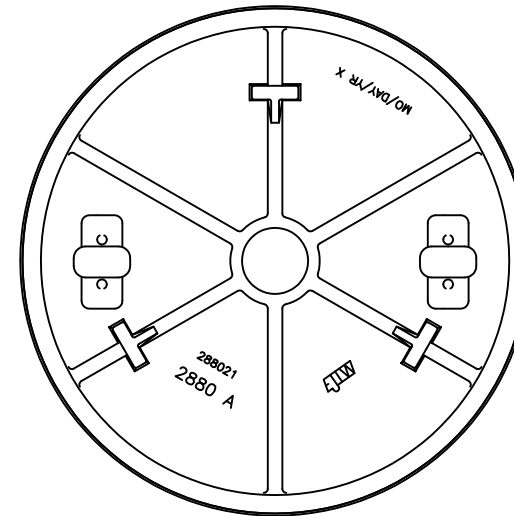
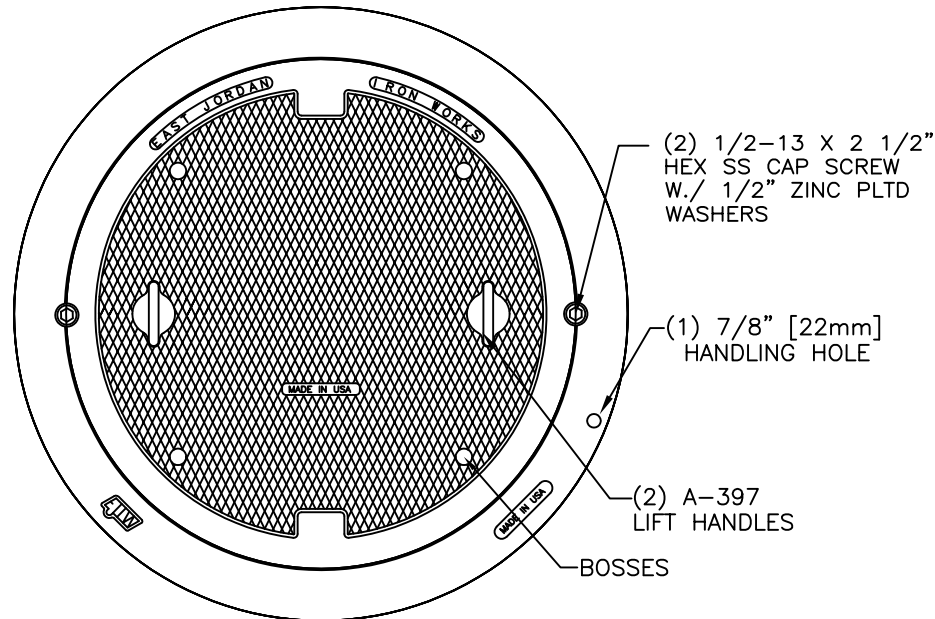
√ DESIGNATES MACHINED
SURFACE

DRAWN DEW	DATE 08/25/06
--------------	------------------

LAST REVISED	DATE
--------------	------

REFERENCE INFORMATION

00288010
00288021



COVER BOTTOM

