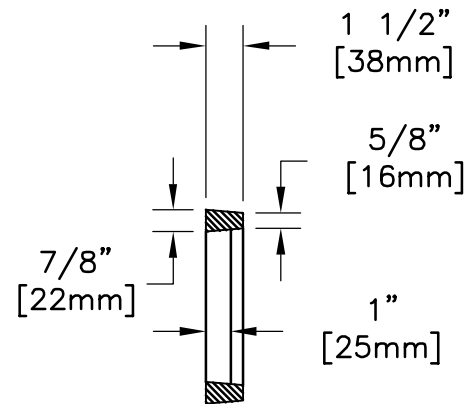
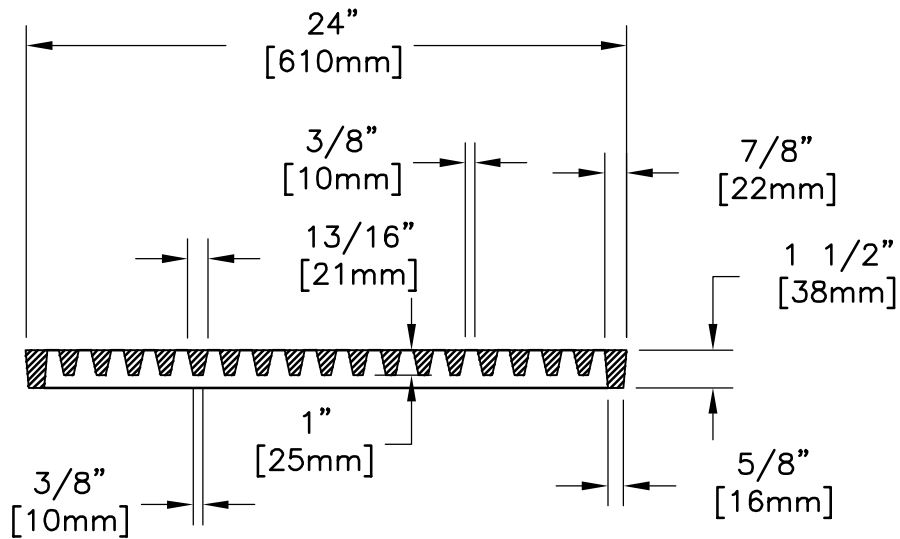


GRATE TOP VIEW



GRATE SECTION



GRATE SECTION

**EAST JORDAN  
IRON WORKS, INC.**  
P.O. BOX 439  
EAST JORDAN, MI. 49727  
1-800-874-4100  
FAX 231-536-4458

DRAWN TCL	DATE 09/28/04
APPROVED	DATE

**PEDESTRIAN  
TRENCH GRATE**

PRODUCT NO.  
**47381031**  
DIPPED

CATALOG NO.  
**V-7381**

REF. PRODUCT DRAWING  
NA

EST. WT.  
GRATE: 37 LBS 17kg

OPEN AREA  
42 SQ. INCHES  
270 SQ. CM

MAT'L SPEC.  
COVER - GRAY IRON  
ASTM A48 CL35B

LOAD RATING  
**HEAVY DUTY**