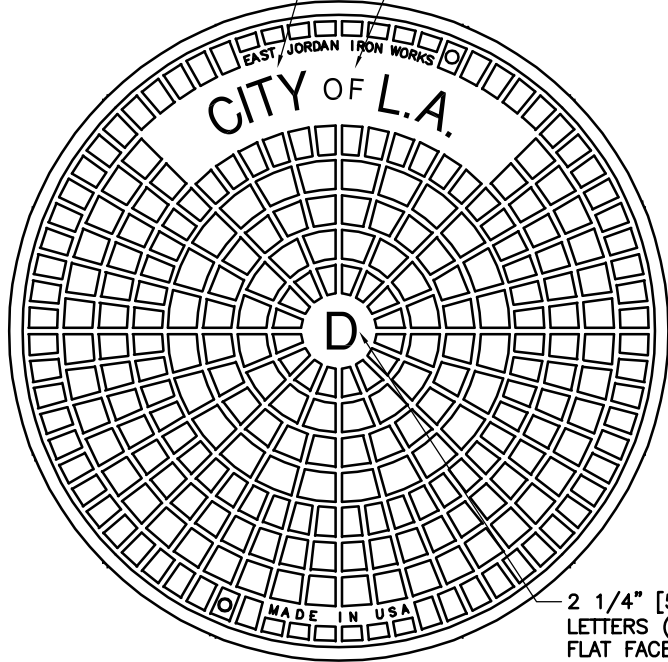
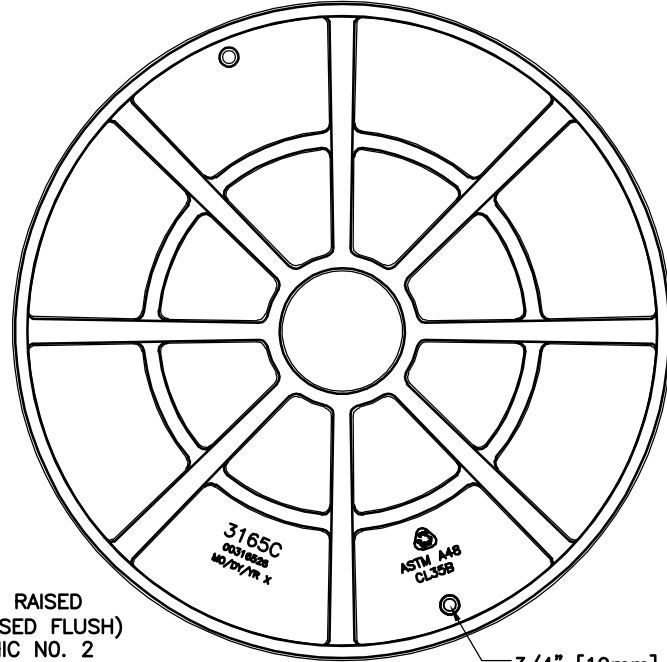


2 1/4" [57mm] RAISED  
LETTERS (RECESSED FLUSH)  
FLAT FACE GOTHIC NO. 2

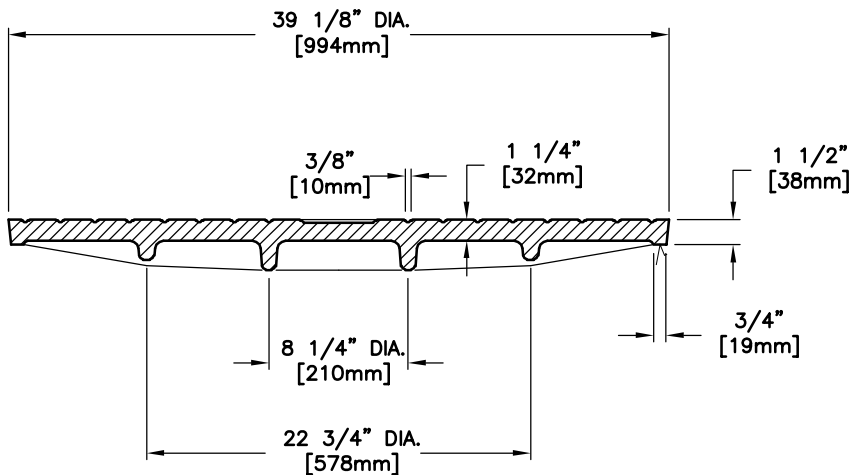
1 3/8" [35mm] RAISED LETTERS  
(RECESSED FLUSH)  
FLAT FACE GOTHIC NO. 2



2 1/4" [57mm] RAISED  
LETTERS (RECESSED FLUSH)  
FLAT FACE GOTHIC NO. 2



3/4" [19mm] DIA  
HANDLING HOLE



✓ MACHINED SURFACE

Reference:  
City of Los Angeles Standard Plan  
Drawing S-286-1  
Manhole Frame and Cover 36 Inch

EAST JORDAN IRON WORKS, INC. P.O. BOX 439 EAST JORDAN, MI. 49727 1-800-874-4100 FAX 231-536-4458	
DRAWN JIJ	DATE 12/17/02
APPROVED	DATE
<b>MANHOLE COVER</b> (LBIW X165)	
PRODUCT NO. <b>00316526</b>	
CATALOG NO. 3165C	
REF. PRODUCT DRAWING 00316520	
EST. WT. COVER: 440 LBS 200kg	
OPEN AREA N/A	
MAT'L SPEC. COVER - GRAY IRON ASTM A48 CL35	
LOAD RATING HEAVY DUTY	