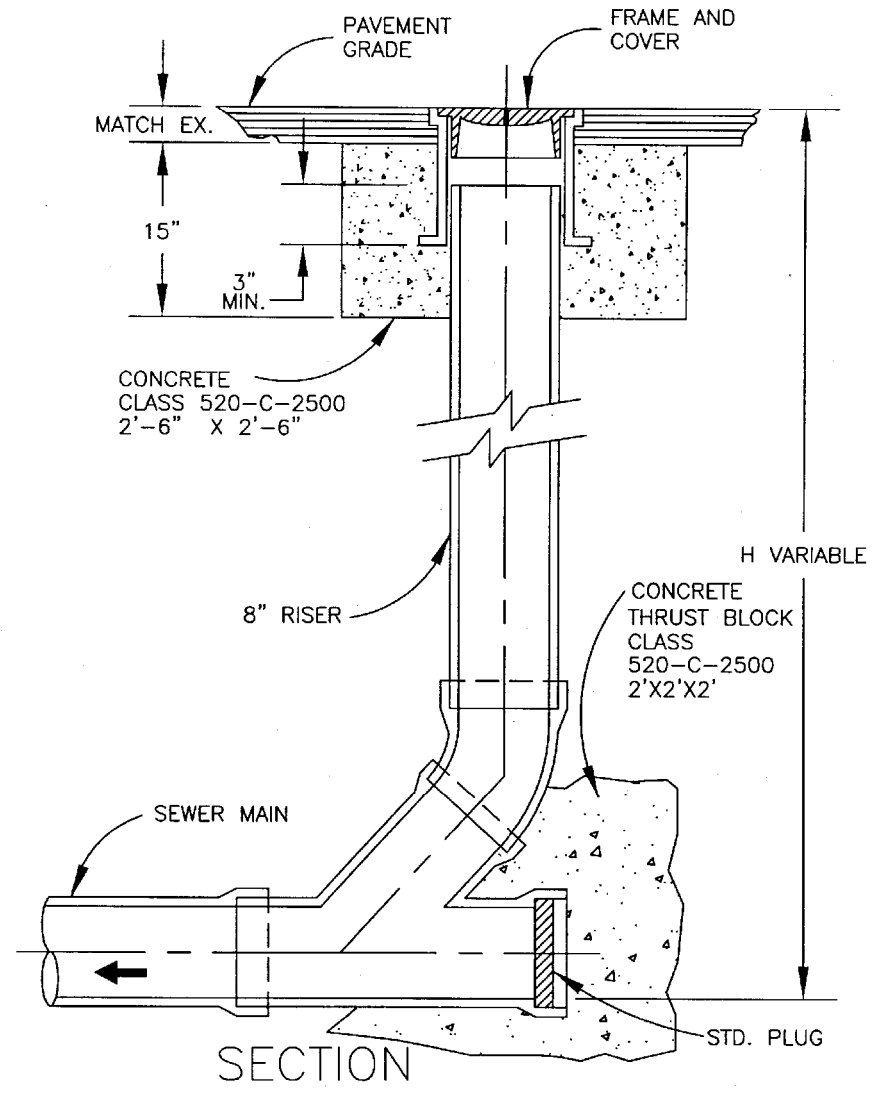


NOTES:

1. Frame and cover shall be Alhambra Foundry A-1240 or equal approved by Engineer.
2. Set frame and cover flush with pavement grade.
3. Cleanout larger than 8-inch shall be provided subject to the approval of the Engineer.
5. All pipe and fittings shall be SDR-35 P.V.C. per ASTM 3034.



REVISED	DATE	APPROVED	CITY OF SANTA BARBARA - PUBLIC WORKS DEPARTMENT	STANDARD DETAIL
		<i>Anthony J. Davis</i>	CLEANOUT	5-003.0-06
		PUBLIC WORKS DIRECTOR		
		DATE		
		2/5/07		