

Reference:
 City of Los Angeles Standard Plan
 Drawing S-286-1
 Manhole Frame and Cover 36 Inch

EAST JORDAN
 IRON WORKS, INC.
 P.O. BOX 439
 EAST JORDAN, MI. 49727
 1-800-874-4100
 FAX 231-536-4458

DRAWN JIJ	DATE 08/30/02
APPROVED	DATE

**MANHOLE
 FRAME**
 (LBIW X165)

PRODUCT NO.
00316510

CATALOG NO.
 3165Z

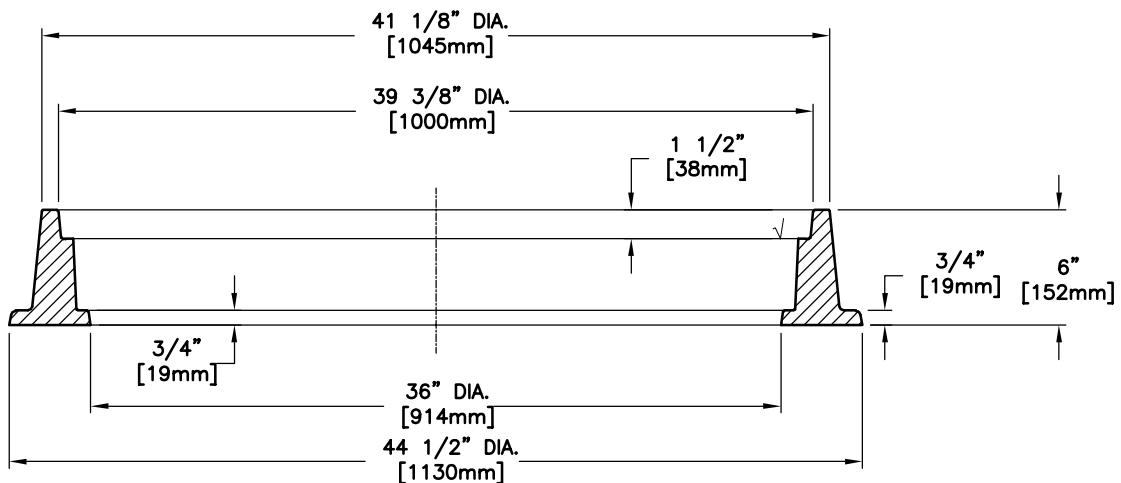
REF. PRODUCT DRAWING
 316510

EST. WT.
 FRAME: 375 LBS 170kg

OPEN AREA
 N/A

MAT'L SPEC.
 FRAME - GRAY IRON
 ASTM A48 CL35

LOAD RATING
 HEAVY DUTY



√ MACHINED SURFACE