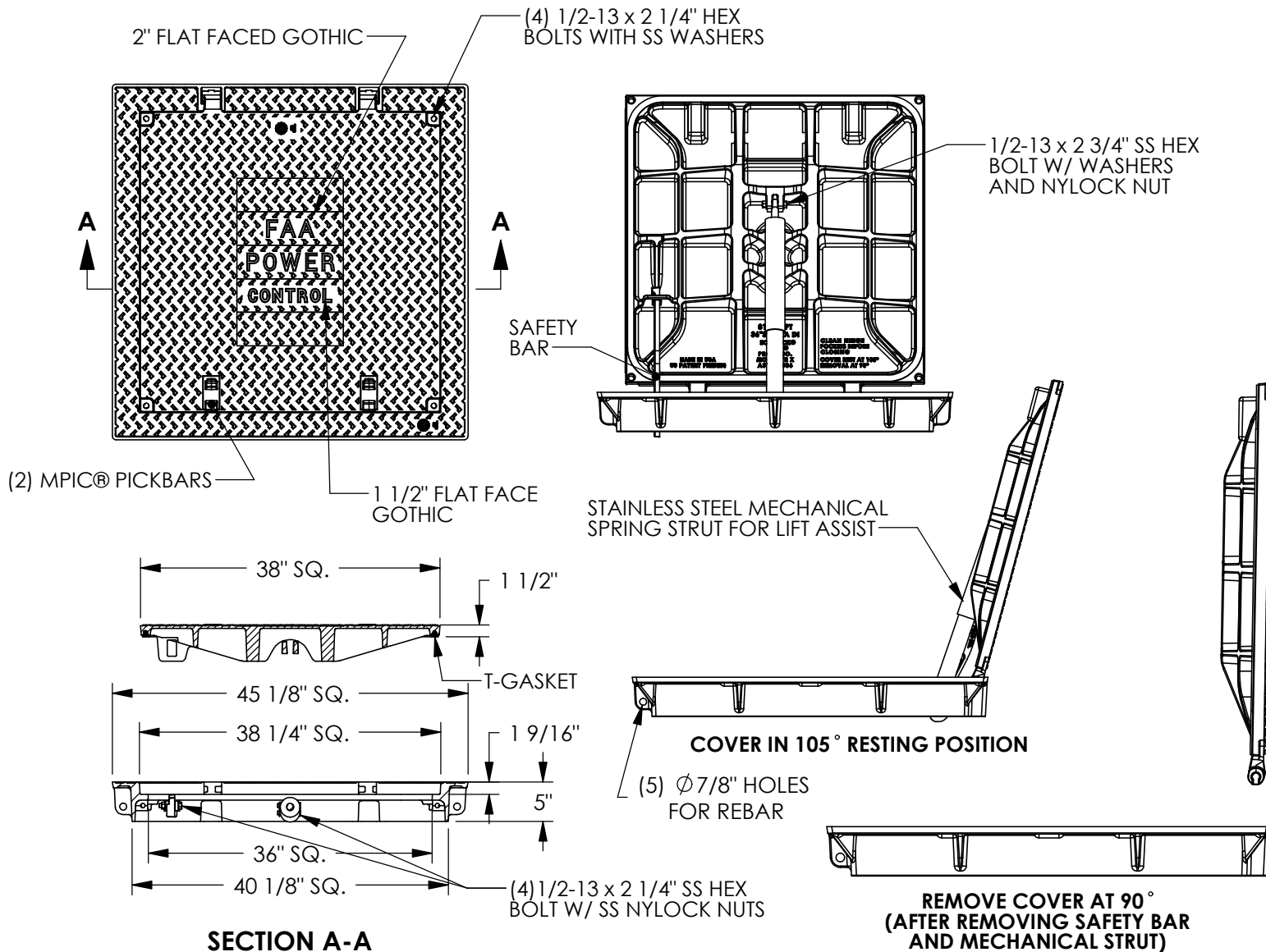


8197 Assembly



Product Number

00819779B01

Design Features

- Materials
 - Hatch Frame
 - Ductile Iron (70-50-05)
 - Cover
 - Ductile Iron (80-55-06)
- Design Load
 - Airport Extra Heavy Duty (Proof Load Tested to 200,000lbs.)
- Open Area
 - n/a
- Coating
 - Dipped
- √ Designates Machined Surface
- Slip Resistant Surface with the LLLL® registered trademark

Certification

- ASTM A536
-
- Country of Origin: USA

Major Components

00819712
008197XX

Drawing Revision

3/6/2012 Designer: SDC
Revised By:

Disclaimer

Weights (lbs/kg), dimensions (inches/mm) and drawings provided for your guidance. We reserve the right to modify specifications without prior notice.

CONFIDENTIAL: This drawing is the property of EJ Group, Inc. and embodies confidential information, registered marks, patents, trade secret information, and/or know-how that is the property of EJ Group, Inc. Copyright © 2011 EJ Group, Inc. All rights reserved.

Contact

800.626.4653
ejco.com