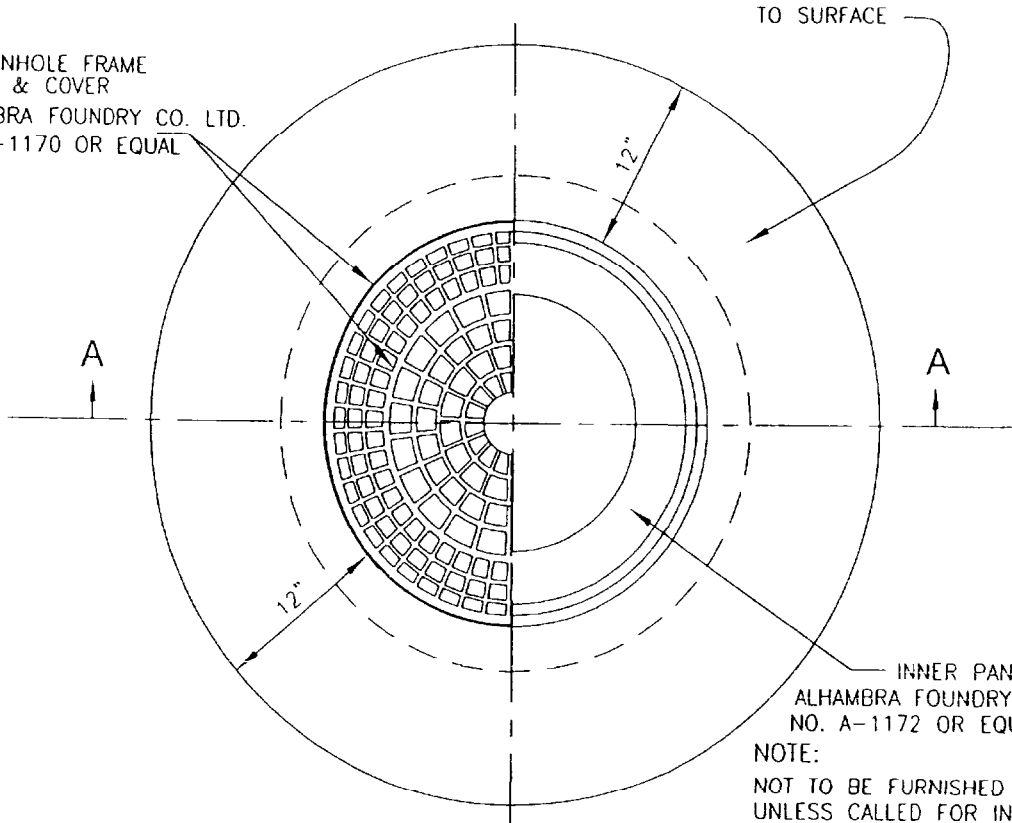


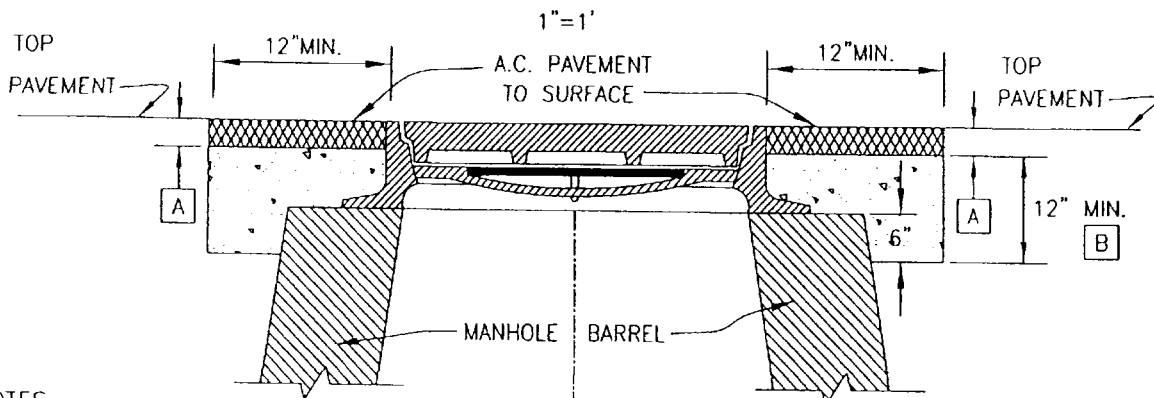
MANHOLE FRAME
& COVER
ALHAMBRA FOUNDRY CO. LTD.
NO. A-1170 OR EQUAL



INNER PAN
ALHAMBRA FOUNDRY CO. LTD.
NO. A-1172 OR EQUAL

NOTE:
NOT TO BE FURNISHED
UNLESS CALLED FOR IN
SPECIFICATIONS.

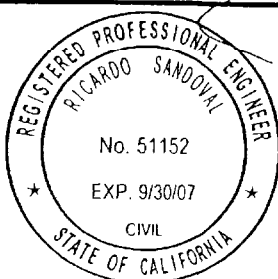
PLAN



SECTION A-A

NOTES:

- [A] SAME AS EXISTING - 1" MIN.
- [B] NO MORE THAN 12" OF GRADE RINGS ALLOWED FOR A MAXIMUM OF 18" FROM TOP OF MANHOLE BARREL. CONCRETE SHALL BE PLACED FROM 2" BELOW GRADE RING TO 2" BELOW MANHOLE BARRELL AND SHALL ENCAPSULATE ALL GRADE RINGS.



APPROVED BY:

Ricardo Sandoval
CITY ENGINEER
RICARDO SANDOVAL

DATE

10-18-06

REVIEWED BY: *174*

REVISION NUMBER: _____

CITY OF FONTANA

**STD. MANHOLE FRAME &
COVER AND REINFORCED
CONCRETE COLLAR**

07/10/06

STD. PLAN NO. 2000

SHT 1 OF 1